

A red banner with rounded ends is positioned horizontally across the upper left portion of the page. It contains the product name in white text.

DS-TDSB00-EKT/POE/4M
Fall Detection Radar



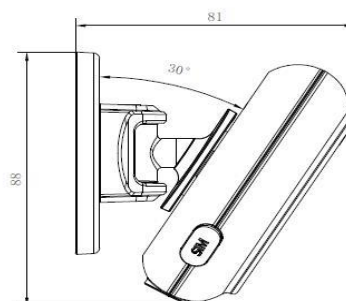
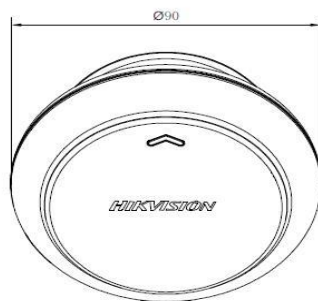
- High detection accuracy and low false alarm rate.
- Detects person and non-person in the area.
- Non-contact posture detection.
- Small size, light, easy installation to embed to other devices.
- Supports locating target and transmit location.
- Supports 4 m distance measurement.
- Supports truning off indicator.
- Supports transmitting data to platform by OTAP protocol.
- Supports connecting to Wi-Fi.

▪ Specification

General	
Working Humidity	95% or less (non-condensing)
Weight	Approx. 180 g (0.4 lb.)
Radar	
Working Frequency Range	60 GHz to 64 GHz
Modulation Waveform	FMCW
Capture Distance	4 m
Communication Interface	1 RJ45 Ethernet interface, WIFI
Working Voltage	Type-C DC5V, IEEE 802.3af POE
Working Current	≤ 700 mA
Working Temperature	-10 °C to +50 °C (14 °F to +122 °F)

▪ Available Model

DS-TDSB00-EKT/POE/4m

▪ Dimension

unit:mm

Headquarters

No.555 Qianmo Road, Binjiang District,
Hangzhou 310051, China
T +86-571-8807-5998
www.hikvision.com

Follow us on social media to get the latest product and solution information.



Hikvision



HikvisionHQ



HikvisionHQ



Hikvision_Global

Hikvision
Corporate Channel

hikvisionhq

