



TD-YZJ0312

Pole Mounting Bracket

Dimensions

- Vertical pole mounting bracket with the junction box
- Aluminum alloy and steel with surface spray treatment
- Bottom outlet, and back outlet
- The hook for safety rope facilitates speed dome's installation

Specifications

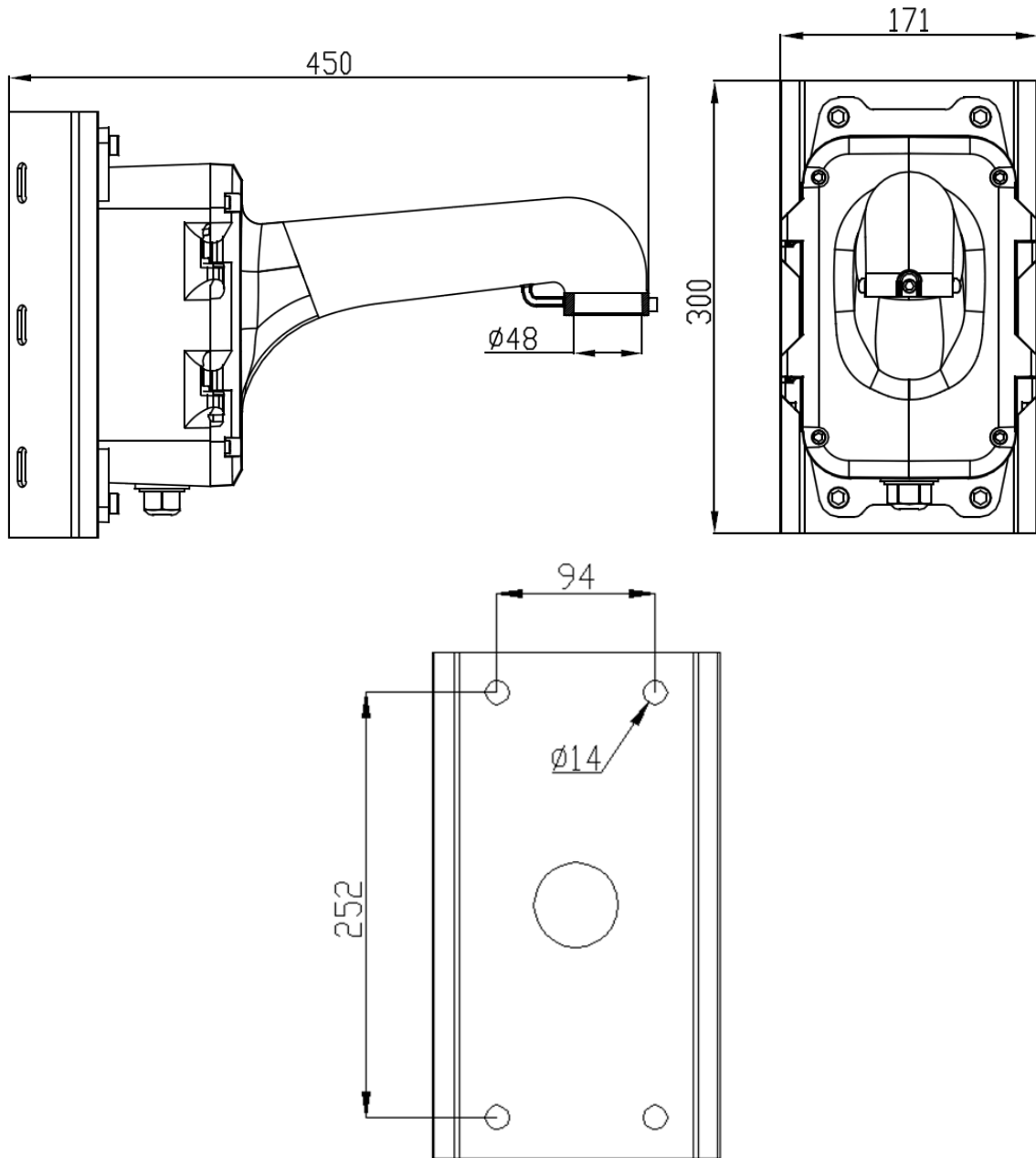
Model	HD-YZJ0312
Material	Aluminum alloy and steel
Color	White
Min. Packaging Quantity	1
Packing Size	450x300x478mm
Dimension	256x300x171mm
Net Weight	5.1kg
Load Bearing	The wall must be strong enough to withstand at least 3 times the weight of the speed dome and the bracket.
Working Temperature	-40°C~+60°C(-40°F~+140°F)
Working Humidity	10% ~ 90%

Available Model

Available Model	HD-YZJ0312	Pole mounting bracket
-----------------	------------	-----------------------

Dimensions

Unit: mm



Shenzhen TVT Digital Technology Co., LTD.

Address: 23rd Floor, Block B4, Building NO.9, Shenzhen Bay Eco-Technology Park, Nanshan District, Shenzhen, Guangdong Province, P.R. China

Tel: +86-755-36995888

Website: <http://en.tvt.net.cn>

Fax: +86-755-33104777

E-mail: overseas@tvt.net.cn