

## DS-2CD72205G0/E 20 MP Box Network Camera with Housing



### DeepinView<sup>series</sup>

- 1" Progressive Scan CMOS
- Color: 0.01 Lux @ (F1.2, AGC ON)
- 5472 × 3648 @ 25fps
- MJPEG up to 1920 × 1080 @ 25fps
- H.265, H.265+, H.264, H.264+
- Support USB 2.0 and USB 3.0
- DWDR
- Alarm 3 inputs/3 outputs, audio 2 inputs/1 output
- 5 streams
- 6 behavior analyses, 3 exception detection
- Built-in microSD/SDHC/SDXC card slot, up to 256 GB



## Specifications

| Camera            |   |
|-------------------|---|
| Image Sensor      | 1" Progressive Scan CMOS  |
| Min. Illumination | Color: 0.01 Lux @ (F1.2, AGC ON)  |
| Shutter Speed     | 1/25 s to 1/100,000 s   |
| Slow Shutter      | No  |
| Day & Night       | IR cut filter. Blue glass module to reduce ghost phenomenon.  |
| WDR               | DWDR  |
| Lens              |   |
| Lens Type         | 50 mm, 85 mm  |
| FOV               | 50 mm@F2.0, horizontal FOV: 15°, vertical FOV: 10°, diagonal FOV: 17.9°<br>85 mm@F2.0, horizontal FOV: 8.8°, vertical FOV: 5.9°, diagonal FOV: 10.6°  |
| Lens Mount        | Camera mount: M42   |
| Video             |   |
| Max. Resolution   | 5472 × 3648   |
| Video Stream      | 5 defined streams   |
| Main Stream       | 1 encoder track mode:<br>H.264/H.265:<br>50Hz: 25fps (5472 × 3648, 3840 × 2160, 3200 × 1800, 3072 × 2048, 3072 × 1728, 2560 × 1440, 1920 × 1080, 1280 × 720)<br>60Hz: 24fps (5472 × 3648, 3840 × 2160, 3200 × 1800, 3072 × 2048, 3072 × 1728, 2560 × 1440, 1920 × 1080, 1280 × 720)<br>3 encoder tracks mode:<br>H.264/H.265:<br>50Hz: 25fps (5472 × 3648)<br>60Hz: 24fps (5472 × 3648) |
| Sub Stream        | 1 encoder track mode:<br>H.264/H.265/ MJPEG:<br>50Hz: 25fps (704 × 480, 640 × 480)<br>60Hz: 24fps (704 × 480, 640 × 480)<br>3 encoder tracks mode: No   |
| Third Stream      | 1 encoder track mode:<br>H.264/H.265:<br>50Hz: 25fps (1920 × 1080, 1280 × 720, 704 × 480, 640 × 480)<br>60Hz: 24fps (1920 × 1080, 1280 × 720, 704 × 480, 640 × 480)<br>3 encoder tracks mode: No  |
| Fourth Stream     | 1 encoder track mode:<br>H.264/H.265/ MJPEG:<br>50Hz: 25fps (1920 × 1080, 1280 × 720, 704 × 480, 640 × 480)<br>60Hz: 24fps (1920 × 1080, 1280 × 720, 704 × 480, 640 × 480)<br>3 encoder tracks mode: No   |

|                             |   |
|-----------------------------|---|
| Fifth Stream                | 1 encoder track mode:<br>H.264/H.265/ MJPEG:<br>50Hz: 25fps (1920 × 1080, 1280 × 720, 704 × 480, 640 × 480)<br>60Hz: 24fps (1920 × 1080, 1280 × 720, 704 × 480, 640 × 480)<br>3 encoder tracks mode: no   |
| Video Compression           | Main stream/third stream: H.265/ H.264<br>Sub-stream /fourth stream/fifth stream: H.265/H.264/MJPEG   |
| H.264 Type                  | Baseline Profile/Main Profile/High Profile  |
| H.264+                      | 1 encoder track mode: each stream support<br>3 encoder tracks mode: No  |
| H.265 Type                  | Baseline Profile  |
| H.265+                      | 1 encoder track mode: each stream support<br>3 encoder tracks mode: No  |
| Video Bit Rate              | 32 Kbps to 16 Mbps  |
| Scalable Video Coding (SVC) | H.264 and H.265 encoding  |
| <b>Audio</b>                |   |
| Audio Compression           | G.711/G.722.1/G.726/MP2L2/PCM   |
| Audio Bit Rate              | 64Kbps(G.711)/16Kbps(G.722.1)/16Kbps(G.726)/32-192Kbps(MP2L2)/8Kbps-48Kbps (PCM)  |
| Environment Noise Filtering | Yes   |
| Audio Sampling Rate         | 8 kHz/16 kHz/32 kHz/44.1 kHz/48 kHz   |
| <b>Smart Feature-Set</b>    |   |
| Smart Event                 | Line crossing detection, up to 4 lines configurable<br>Intrusion detection, up to 4 regions configurable<br>Region entrance detection, up to 4 regions configurable<br>Region exiting detection, up to 4 regions configurable<br>Unattended baggage detection, up to 4 regions configurable<br>Object removal detection, up to 4 regions configurable<br>Scene change detection, audio exception detection, defocus detection |
| Basic Event                 | Motion detection, video tampering alarm, exception (network disconnected, IP address conflict, illegal login, HDD full, HDD error)  |
| Linkage Method              | Upload to FTP/NAS/memory card, notify surveillance center, send email, trigger alarm output, trigger recording, trigger capture   |
| Region of Interest          | 4 fixed regions for each stream   |
| <b>Image</b>                |   |
| Image Enhancement           | BLC, HLC, 3D DNR, Defog, EIS  |
| Image Setting               | Saturation, brightness, contrast, sharpness, AGC, and white balance are adjustable by client software or web browser  |
| Target Cropping             | Yes   |
| Day/Night Switch            | Day/Night/Auto/Schedule/Triggered by Alarm In   |
| Picture Overlay             | LOGO picture can be overlaid on video with 128 × 128 24 bit bmp format  |

| Network                          |  |
|----------------------------------|--|
| Network Storage                  | microSD/SDHC/SDXC card (256 GB), local storage and NAS (NFS, SMB/CIFS), ANR Together with high-end Hikvision memory card, memory card encryption and health detection are supported.   |
| Protocols                        | TCP/IP, ICMP, HTTP, HTTPS, FTP, DHCP, DNS, DDNS, RTP, RTSP, RTCP, PPPoE, NTP, UPnP, SMTP, SNMP, IGMP, 802.1X, QoS, IPv6, UDP, Bonjour, SSL/TLS   |
| API                              | ONVIF (PROFILE S, PROFILE G), ISAPI, SDK, Ehome  |
| Security                         | Password protection, complicated password, HTTPS encryption, 802.1X authentication (EAP-TLS, EAP-LEAP, EAP-MD5), watermark, IP address filter, basic and digest authentication for HTTP/HTTPS, WSSE and digest authentication for ONVIF, RTP/RTSP over HTTPS, control timeout settings, security audit log, TLS 1.2                          |
| Simultaneous Live View           | Up to 20 channels  |
| User/Host                        | Up to 32 users. 3 user levels: administrator, operator and user  |
| Client                           | iVMS-4200  |
| Web Browser                      | Plug-in required live view: IE8+, Chrome 41.0-44, Firefox 30.0-51, Safari 8.0-11<br>Plug-in free live view: Chrome 45.0+, Firefox 52.0+  |
| Interface                        |  |
| Audio                            | 2 inputs (line in), 3.5 mm connector, max. input amplitude: 3.3 Vpp, input impedance: 4.7 K $\Omega$ , interface type: non-equilibrium;<br>1 output (line out), 3.5 mm connector, max. output amplitude: 3.3 Vpp, output impedance: 100 $\Omega$ , interface type: non-equilibrium;<br>1 built-in speaker, 1 built-in microphone, mono sound |
| Communication Interface          | 1 RJ45 10M/100M/1000M Ethernet port;<br>1 RS-485 interface (half duplex, HIKVISION, Pelco-P, Pelco-D, self-adaptive);<br>1000M Fiber; GPS;   |
| Alarm                            | 3 inputs, 3 outputs (max. 24 VDC/VAC, 1 A max.)  |
| USB                              | USB 2.0, USB 3.0   |
| Video Out                        | 1Vp-p composite output (75 $\Omega$ /CVBS), only for adjustment  |
| Interface Style                  | Connector Panel  |
| On-board Storage                 | Built-in microSD/SDHC/SDXC slot, up to 256 GB  |
| General                          |  |
| Firmware Version                 | V5.5.76  |
| Web Client Language              | 32 languages<br>English, Russian, Estonian, Bulgarian, Hungarian, Greek, German, Italian, Czech, Slovak, French, Polish, Dutch, Portuguese, Spanish, Romanian, Danish, Swedish, Norwegian, Finnish, Croatian, Slovenian, Serbian, Turkish, Korean, Traditional Chinese, Thai, Vietnamese, Japanese, Latvian, Lithuanian, Portuguese (Brazil) |
| General Function                 | One-key reset, anti-flicker, 5 streams, heartbeat, mirror, privacy masks, password protection, pixel counter, watermark, IP address filter   |
| Reset                            | Reset via reset button on camera body, web browser and client software   |
| Startup and Operating Conditions | -30 $^{\circ}$ C to 60 $^{\circ}$ C (-22 $^{\circ}$ F to 140 $^{\circ}$ F), humidity 95% or less (non-condensing)  |
| Storage Conditions               | -30 $^{\circ}$ C to 60 $^{\circ}$ C (-22 $^{\circ}$ F to 140 $^{\circ}$ F), humidity 95% or less (non-condensing)  |

|                               |  |
|-------------------------------|--|
| Power Supply                  | 24 VAC $\pm$ 20%; Terminal block   |
| Power Consumption and Current | 24 VAC, 1.63 A, max. 25.6 W  |
| Material                      | Metal  |
| Dimensions                    | Camera: 521.3 $\times$ 110 $\times$ 169.2 mm (20.52" $\times$ 4.33" $\times$ 6.66")<br>Package: 598 $\times$ 402 $\times$ 273 mm (23.54" $\times$ 15.82" $\times$ 10.75")  |
| Weight                        | Camera: 3.9 kg (8.60 lb.)<br>With package: 7.0 kg (15.43 lb.)  |
| <b>Approval</b>               |  |
| EMC                           | FCC (47 CFR Part 15, Subpart B);<br>CE-EMC (EN 55032: 2015, EN 61000-3-2: 2014, EN 61000-3-3: 2013, EN 50130-4);<br>RCM (AS/NZS CISPR 32:2015);<br>IC (ICES-003: Issue 6, 2016);<br>KC (KN 32: 2015, KN 35: 2015); |
| Safety                        | UL (UL 60950-1);<br>CB (IEC 60950-1:2005 + Am 1:2009 + Am 2:2013);<br>BIS (IS 13252 (Part 1): 2010+A1:2013+A2:2015);<br>CE-LVD (EN 60950-1:2005 + Am 1:2009 + Am 2:2013);<br>LOA (IEC/EN 60950-1);                 |
| Environment                   | CE-ROHS (2011/65/EU);<br>REACH (Regulation (EC) No 1907/2006);<br>WEEE (2012/19/EU);   |
| <b>Fiber Optical</b>          |  |
| Transfer Rate                 | 1.25 Gbps  |
| Fiber Type                    | 1 LC fiber optical interface, SFP module, single mode  |
| Transmission Wavelength       | TX: 1310 nm, RX: 1550 nm   |
| Transmission Distance         | 20 km  |

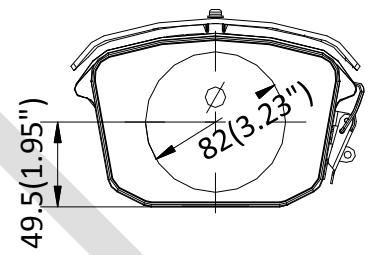
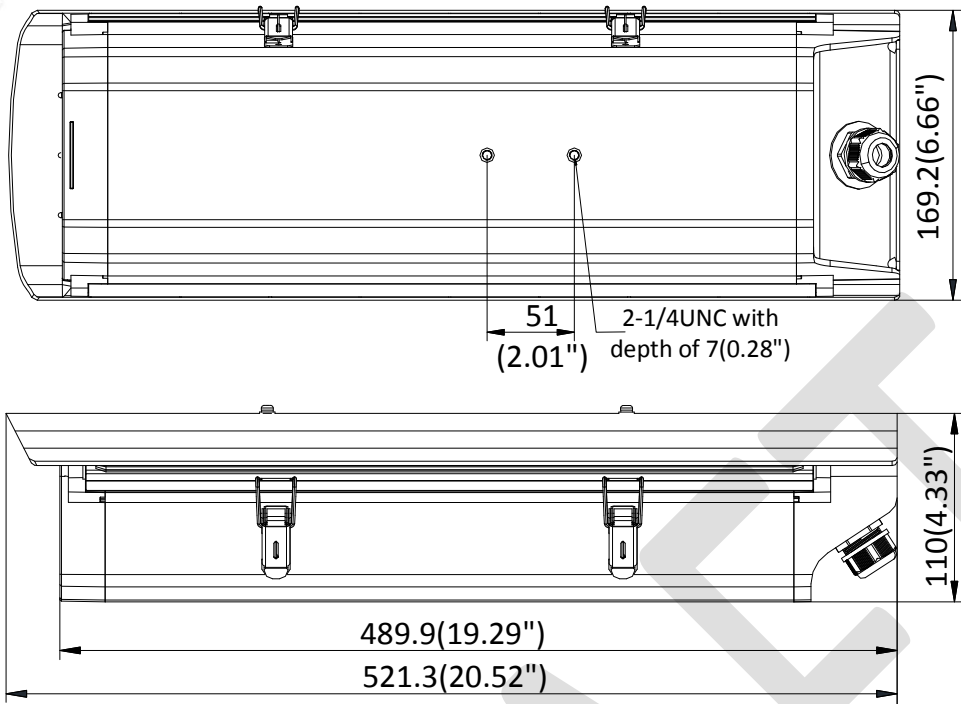
\* Listed resolutions are only selectable options. It does not mean that all streams can work at their maximum resolution at the same time.

### Available Model

DS-2CD72205G0/E (50mm)

DS-2CD72205G0/E (85mm)

Dimension



Unit: mm(inch)

DRAFT

## Accessory



**DS-1293ZJ**  
Wall Mount



**DS-1214ZJ-5**  
Horizontal pole  
mount



**DS-1269ZJ**  
Pendant Mount

Distributed by



## HIKVISION®

### Headquarters

No.555 Qianmo Road, Binjiang District,  
Hangzhou 310051, China  
T +86-571-8807-5998  
overseasbusiness@hikvision.com

**Hikvision USA**  
T +1-909-895-0400  
sales.usa@hikvision.com

**Hikvision Australia**  
T +61-2-8599-4233  
salesau@hikvision.com

**Hikvision India**  
T +91-22-28469900  
sales@pramahikvision.com

**Hikvision Canada**  
T +1-866-200-6690  
sales.canada@hikvision.com

**Hikvision Thailand**  
T +662-275-9949  
sales.thailand@hikvision.com

**Hikvision Europe**  
T +31-23-5542770  
sales.eu@hikvision.com

**Hikvision Italy**  
T +39-0438-6902  
info.it@hikvision.com

**Hikvision Brazil**  
T +55 11 3318-0050  
Latam.support@hikvision.com

**Hikvision Turkey**  
T +90 (216)521 7070- 7074  
sales.tr@hikvision.com

**Hikvision Malaysia**  
T +601-7652-2413  
sales.my@hikvision.com

**Hikvision UK & Ireland**  
T +01628-902140  
sales.uk@hikvision.com

**Hikvision South Africa**  
Tel: +27 (10) 0351172  
sale.africa@hikvision.com

**Hikvision France**  
T +33(0)1-85-330-450  
info.fr@hikvision.com

**Hikvision Kazakhstan**  
T +7-727-9730667  
nikia.panfilov@hikvision.ru

**Hikvision Vietnam**  
T +84-974270888  
sales.vt@hikvision.com

**Hikvision UAE**  
T +971-4-4432090  
salesme@hikvision.com

**Hikvision Singapore**  
T +65-6684-4718  
sg@hikvision.com

**Hikvision Spain**  
T +34-91-737-16-55  
info.es@hikvision.com

**Hikvision Tashkent**  
T +99-87-1238-9438  
uzb@hikvision.ru

**Hikvision Hong Kong**  
T +852-2151-1761  
info.hk@hikvision.com

**Hikvision Russia**  
T +7-495-669-67-99  
saleru@hikvision.com

**Hikvision Korea**  
T +82-(0)31-731-8817  
sales.korea@hikvision.com

**Hikvision Poland**  
T +48-22-460-01-50  
info.pl@hikvision.com

**Hikvision Indonesia**  
T +62-21-2933759  
Sales.Indonesia@hikvision.com

**Hikvision Colombia**  
sales.colombia@hikvision.com