

AE-VC124T-IT
IR Waterproof Vehicle-Mounted Camera

- Adopts progressive scan CMOS to prevent motion image aliasing
- Supports HD image coaxial output with 720P resolution
- Min. illumination: 0.1 Lux @(F1.2, AGC ON), 0 Lux with IR
- Supports auto electronic shutter to adapt to different monitoring environments
- Supports auto electronic gain and self-adaptation to light
- IP68,IK10
- Adopts shock-proof design and aviation output plug
- (Optional) Supports left-right mirroring

▪ Specification

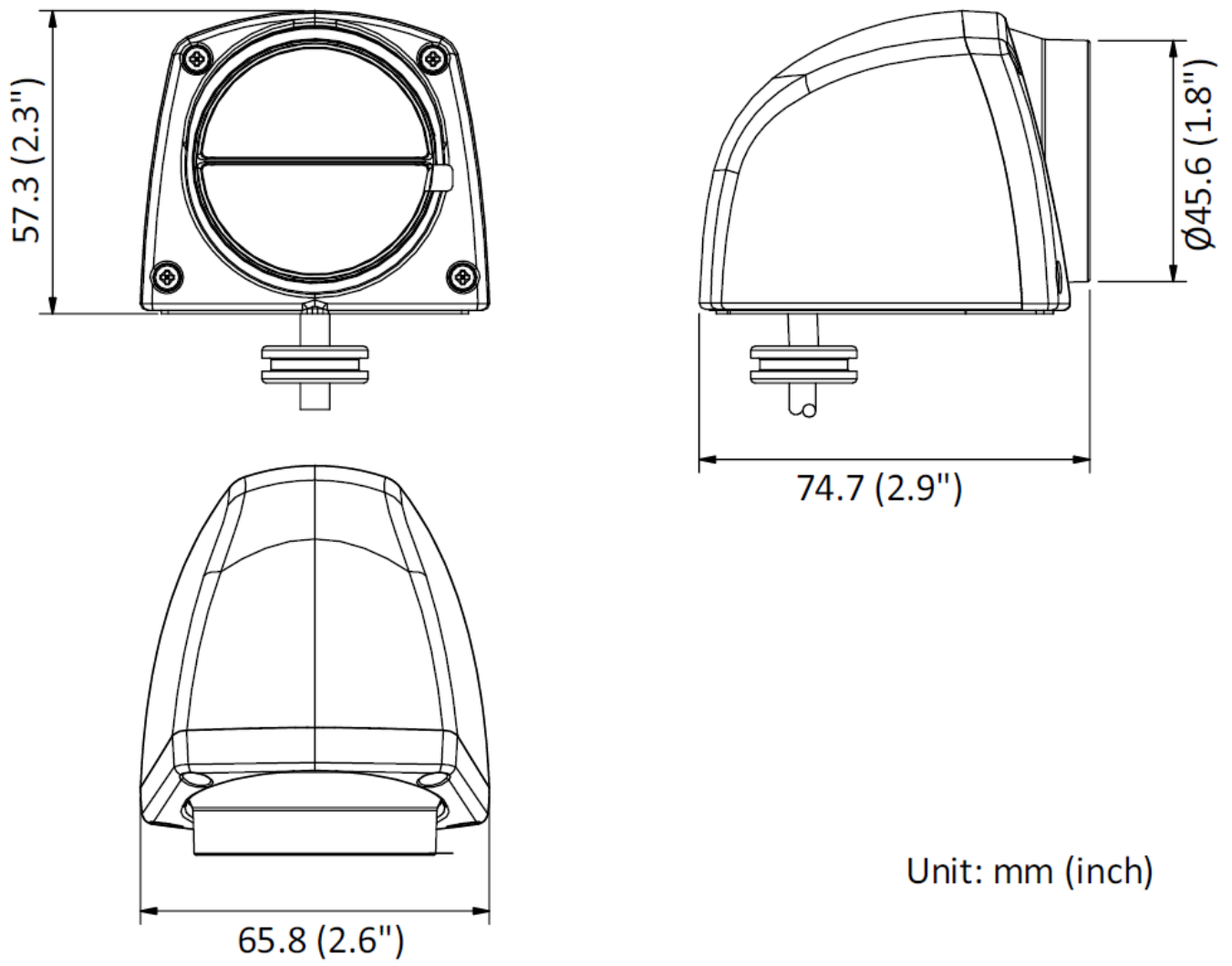
Selection Parameter	
Min. Illumination	0.1 Lux@(F1.2, AGC ON), 0 Lux with IR
Protection Level	IP68,IK10
Case Type	Turret
Resolution	1280×720
Lens Type	Fixed focal lens, 2.1, 2.8, 3.6 mm optional
FOV	2.1 mm, horizontal: 117°, vertical: 66°, diagonal: 143° 2.8 mm, horizontal: 96°, vertical: 50°, diagonal: 115° 3.6 mm, horizontal: 75°, vertical: 42°, diagonal: 86°
Sensor	Progressive Scan CMOS
IR Distance	10m
Camera	
Shutter Speed	1/50 s to 1/50,000 s
P/N	NA
Wide Dynamic Range	NA
Day & Night	Electronic
Lens	
Lens Mount	M12
Video	
Frame Rate	720P@25 fps
Image	
SNR	42 dB
Interface	
Video Output	TVI
Built-in Microphone	NO
Built-in Speaker	NO
Audio	NO
Interface Style	1 Vpp Composite Output (aviation plug) 1: video, 2: empty, 3: power, 4: ground
Supplement Light Unit	
Power Supply	9 to 16 V DC
Power Consumption	Max. 2.5 W
General	
Camera Material	Metal
Camera Dimension	74.7 mm × 65.8 mm × 57.3 mm (2.9" × 2.6" × 2.3")
Startup and Operating Conditions	-40 °C to 75 °C (-40 °F to 167 °F), 90%

▪ Available Model

AE-VC124T-IT(2.8mm)

AE-VC124T-IT(2.1mm)

Dimension



Headquarters

No.555 Qianmo Road, Binjiang District,
Hangzhou 310051, China
T +86-571-8807-5998
www.hikvision.com



Follow us on social media to get the latest product and solution information.

