

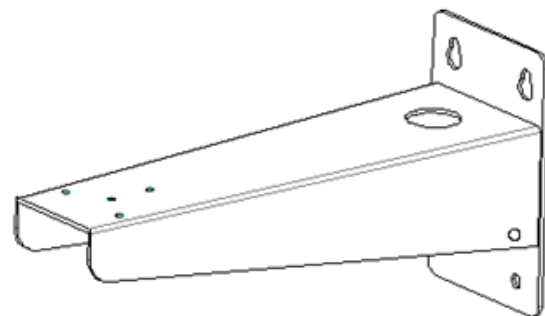
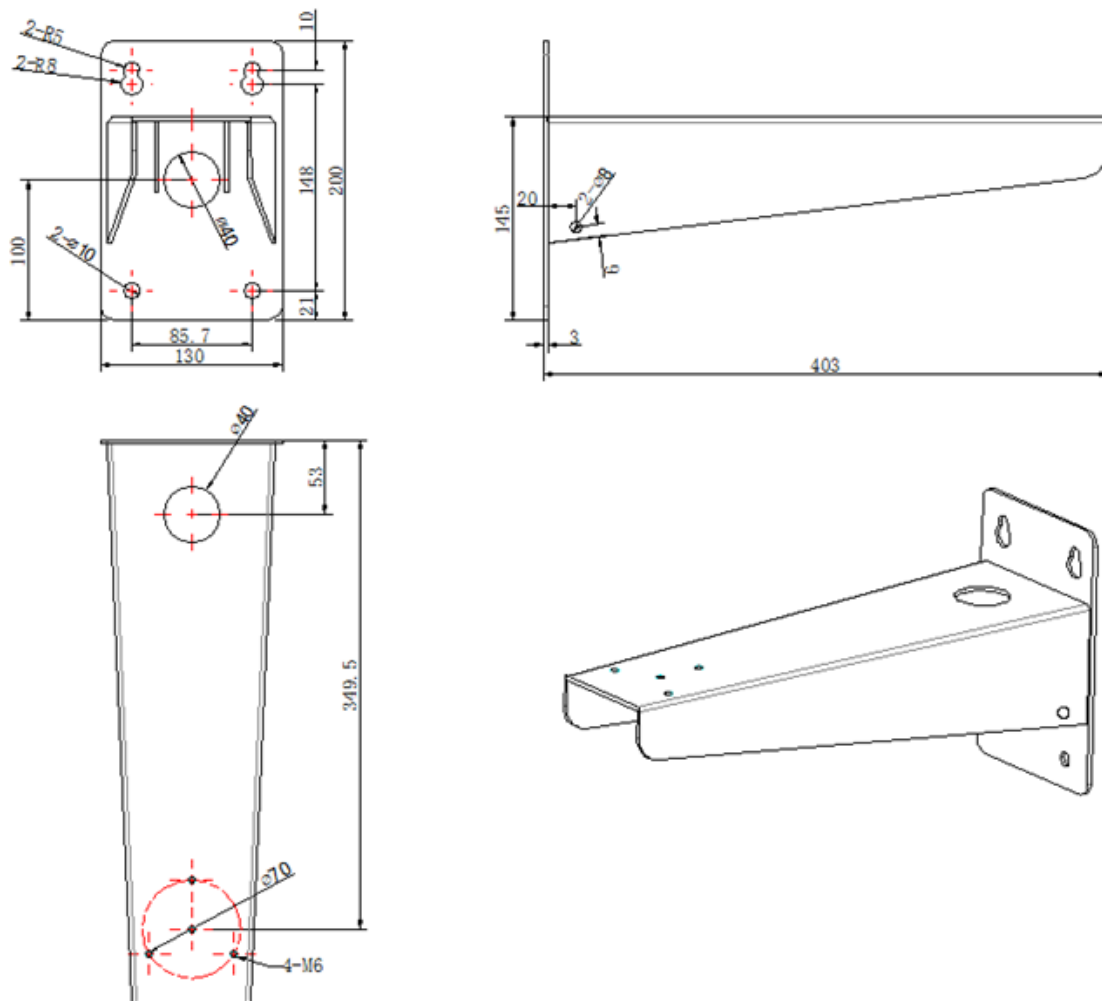
Wall Mount Bracket DS-1701ZJ/HWB



Feature

- Galvanized steel sheet and steel material with surface spray treatment
- Can be used for radar, supplement light, and traffic unit.

Dimension



Available Model

DS-1701ZJ/HWB

Parameter

Parameters	Model	DS-1701ZJ/HWB
		Wall Mount Bracket-1701/Outdoor White
Appearance		Hikvision White
Material		Galvanized steel sheet and Steel(sus304)
Maximum Load Capacity		15kg
Dimension		403 mm × 200 mm × 130 mm
Weight		2.66 kg

Note

- The bracket should be installed on the wall.
- The cross bar must be capable of supporting at least 3 times as much as the total weight of traffic unit and the bracket.
- The bracket comes with 4 × M8 swell screws.