

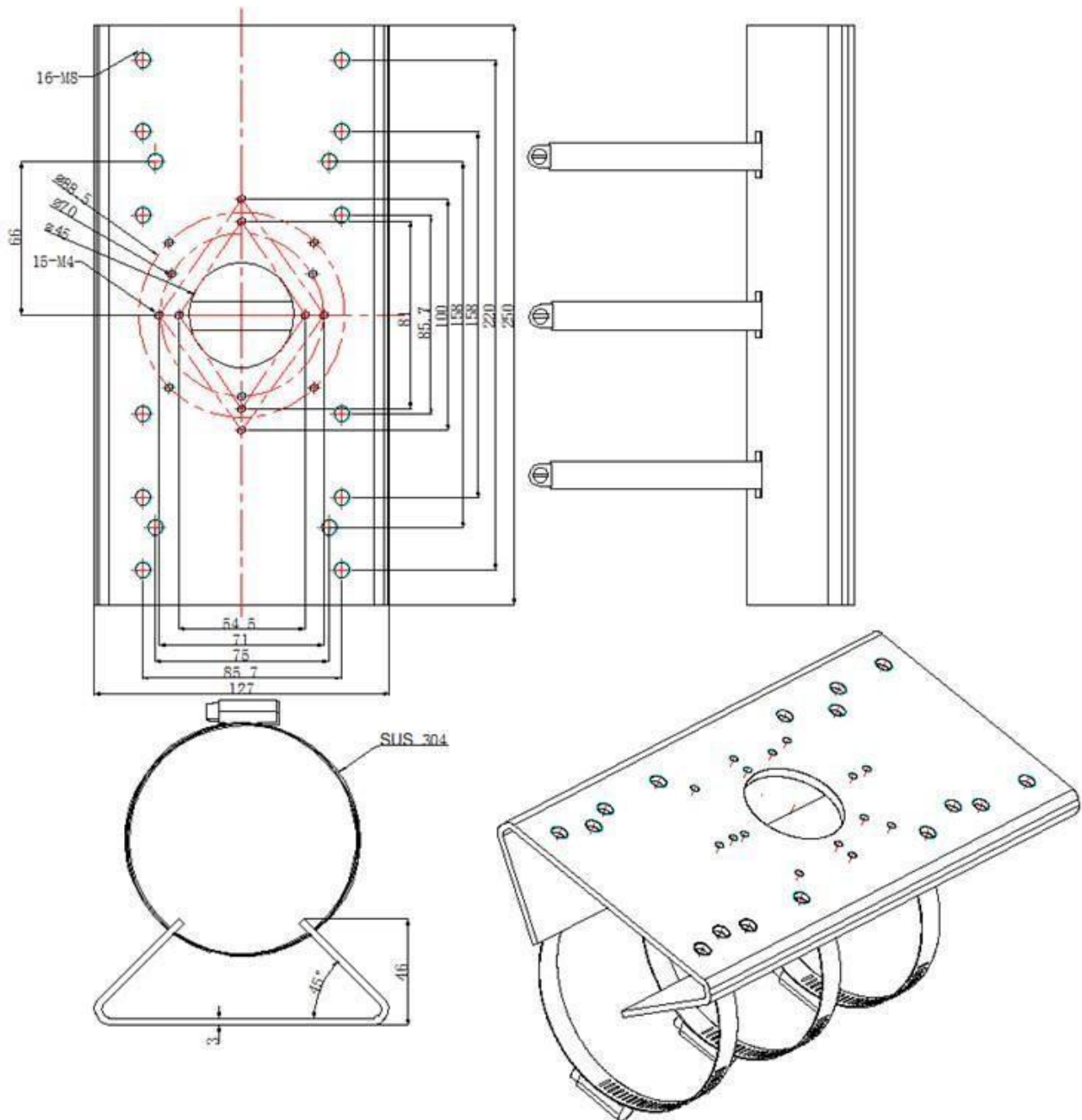
## Pole Mount Bracket DS-1275ZJ/HKB



### Feature

- Galvanized steel sheet and steel material with surface spray treatment
- Can be used for radar, supplement light, and traffic unit.

### Dimension



### Available Model

DS-1275ZJ/HKB

**Parameter**

Model	Steel hoop DS-1275ZJ/HKB
Parameters	Pole Mount Bracket-1275/Outdoor White
Appearance	Hikvision White
Material	Galvanized steel sheet and Steel(sus304)
Maximum Diameter	127mm
Maximum Load Capacity	15kg
Dimension	250 mm × 127 mm × 46mm
Weight	1.48 Kg

**Note**

- The bracket should be installed on the cross bar.
- The cross bar must be capable of supporting at least 3 times as much as the total weight of traffic unit and the bracket.
- The bracket comes with 4 × M8 swell screws and 4 × M4 swell screws.