

CCU-2000 Composite Control Unit

CCU-2000 composite control unit is an outdoor cabinet, Suitable for pole mounting. Good protection from wind, sand, rain, sun and anti-theft functions; good environmental adaptability, maximize reduction of equipment on the environment. The cabinet body frame is welding structure, improve the mechanical strength, rigidity and cabinet waterproofing performance, materials are used for heat zinc plate, which can effectively ensure the strength and anti-corrosion, widely used in E-Police, Checkpoint and other transportation systems



Note: the picture is for reference only

Model Description

| SAP Code | Product Model | Function Description |
|-----------|---------------------------------|--------------------------------------------------------------------------------------------------------------------|
| 302101027 | Composite control unit-CCU-2000 | Outdoor pole mounting cabinets, built-in power module, capable of accommodating switches, fiber optic transceivers |

Main Characteristics

- Structure: Welding structure, strong, firm and reliable
- The level of protection IP55, protect the internal equipment without interference from external bad environment
- The main structure of the cabinet adopts is welding, part assembled, ensure the good protection
- With special outdoor cabinet lock, waterproof, good anti-theft performance
- Good environmental adaptability, can minimize the equipment rely on the environment and reliable grounding system
- Cable bottom in and out, waterproof and dustproof
- The cabinet uses the pole mounting, the installation height is 2.5m~3.5m from the ground (hoop

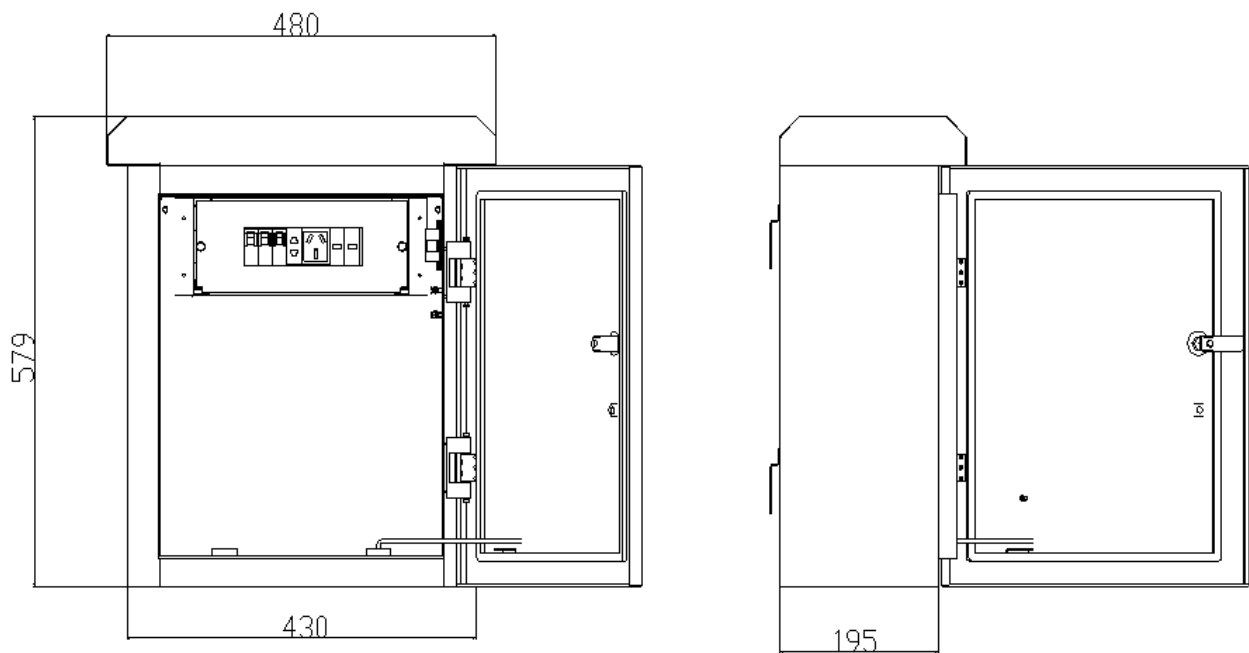
should be customized), has the efficacy of avoiding insects and rats

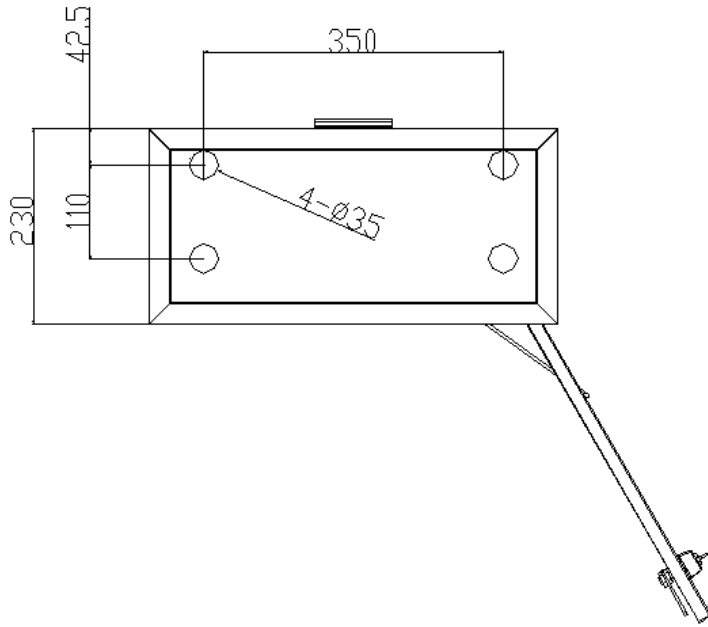
- The cabinet door is windproof structure (i.e., threshold device)

Technical Parameters

- The working environment temperature: $-30^{\circ}\text{C} \sim +60^{\circ}\text{C}$ 。
- The working environment humidity: 5%~95% @ 40°C , No condensation。
- Dimensions(excluding installation hoop): 480mm(W)×579mm(H)×230mm(D)

Outline Dimension





Unit: mm