

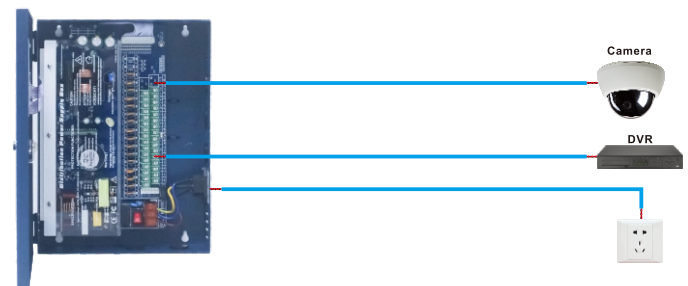
## ■ Description

With royal blue baking finished shell, this professional centralized power supply is mainly applied to HD Camera, DVR and other devices which requiring stabilized voltage 12VDC. External patented LED indicators to show the working condition of each output. If total power is over 120W, built in PFC (Power Factory Correction) to improve efficiency. This series provide a professional, safe and easy installation, no interference and high efficiency power system.



## ■ Application

- Analog Camera & DVR.
- Access control lock and alarm system.
- Landscape light strip.



## ■ Features

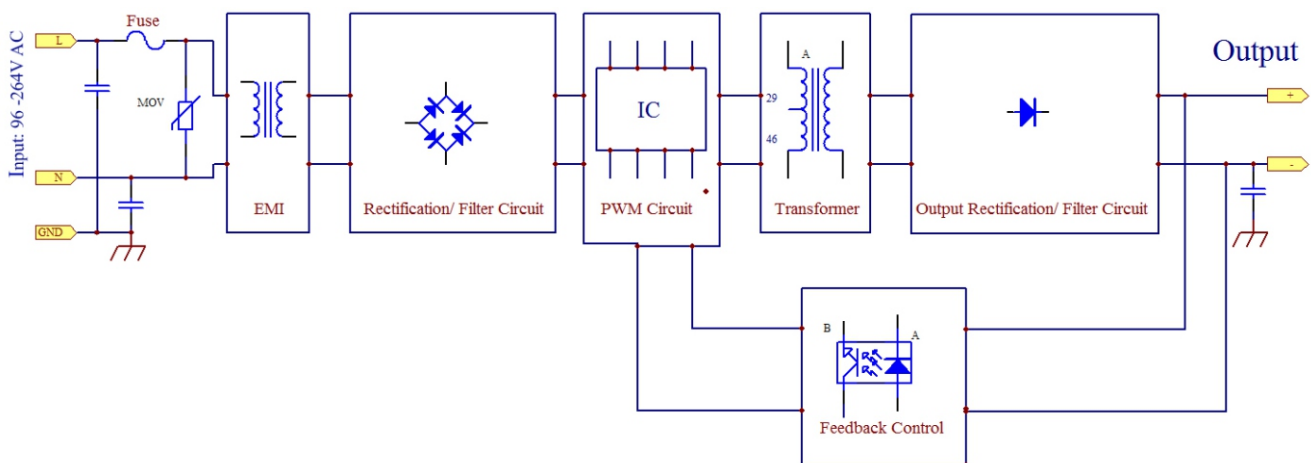
- Full AC input range: 100~240V.
- Withstand 300VAC surge input for 5 seconds.
- Protection: short circuit / overload / over voltage / over temperature.
- Forced air cooling by built in DC fan when the current exceeds 12A.
- Built-in cooling fan controlled by thermal-switch.
- Well finished thick shell, the cable outlets are multi-functional and multi-directional, which is easy for installation depends on real situation and perfectly matched with the wall.
- Withstand 5G vibration test.
- Multiple DC outputs, and each channel has over current (PTC/Tube fuse) and surge protection.
- LED indicators show working condition of each channel and total output power on.
- 100% full burn-in test: full load burn-in test at low voltage AC110V, no-load burn-in test at high voltage AC240V and repeated switch of AC power at high voltage AC240V.
- High operating temperature is up to 70°C.
- Operating altitude is up to 5000 meters (note 8).
- High efficiency, long service life, high reliability.

## ■ Specification

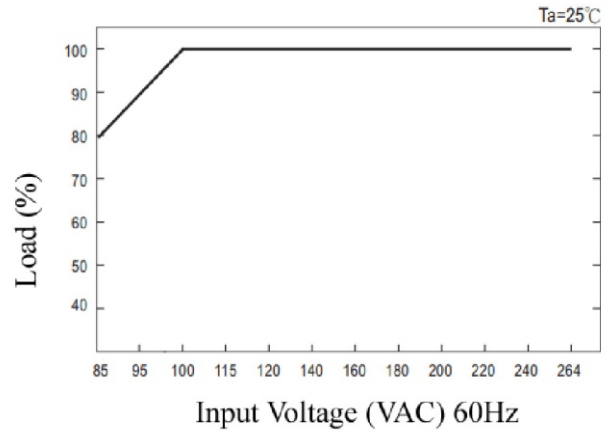
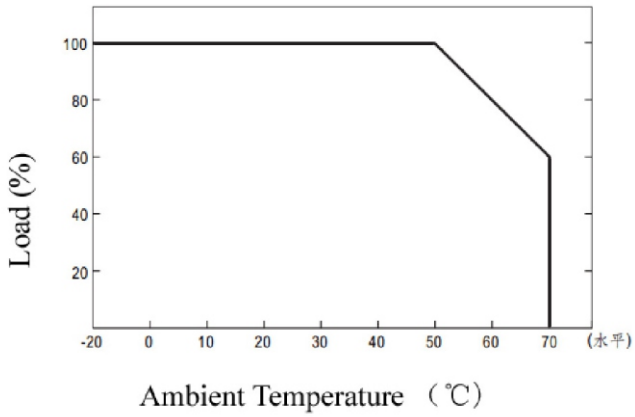
MODEL		KAS-DC120910	KAS-DC121612	KAS-DC121820	KAS-DC121832
OUTPUT	DC VOLTAGE	12V	12V	12V	12V
	RATED CURRENT	10A	12A	20A	32A
	CURRENT RANGE	0-10A	0-12A	0-20A	0-32A
	RATED POWER	120W	144W	240W	384W
	VOLTAGE ADJ.RANGE	11.5V-14.5V	11.5V-14.5V	11.5V-14.5V	11.5V-14.5V
	OUTPUT CHANNELS	9-CH	16-CH	18-CH	18-CH
	EACH OUTPUT CURRENT	1.1A	0.75A	1.1A	1.8A
	FUSE	PTC or Tube fuse, DC30V2A			
	VOLTAGE TOLERANCE (Note3)	±1.5%	±1.5%	±1.5%	±1.5%
	LINE REGULATION (Note4)	±0.5%	±0.5%	±0.5%	±0.5%
	LOAD REGULATION (Note5)	±1%	±0.5%	±0.5%	±0.5%
	RIPPLE&NOISE (Note2)	≤200mVp-p	≤150mVp-p	≤150mVp-p	≤150mVp-p
	SETUP, RISE TIME	1400ms, 50ms/230VAC 1400ms, 50ms/115VAC (at full load)			
	HOLD UP TIME (Typ.)	16ms/230VAC 12ms/115VAC (at full load)			
INPUT	VOLTAGE RANGE	100~240V			
	AC CURRENT (Typ.)	2.1A/115VAC	1.6A/115VAC	2.6A/115VAC	4.2A/115VAC
		1.1A/230VAC	0.8A/230VAC	1.3A/230VAC	2.1A/230VAC
	FREQUENCY RANGE	50~60Hz			
	EFFICIENCY (Typ.)	≥85%			
	LEAKAGE CURRENT	<2mA/ 240VAC			
	INRUSH CURRENT (Typ.)	40A/115VAC	40A/230VAC	50A/115VAC	50A/230VAC
40A/230VAC		40A/115VAC	50A/230VAC	50A/115VAC	
PROTECTION	OVERLOAD(Note.7)	When the current exceeds the fuse rating (ambient 25 °C), the fuse disconnects			
		110 ~ 140% rated output power			
		Protection type: Hiccup mode, recovers automatically after fault condition is removed			
	OVER VOLTAGE	18-21V			
		Hiccup mode, recovers automatically after fault condition is removed.			
OVER TEMPERATURE	Hiccup mode, recovers automatically after fault condition is removed				
FUNCTION	FAN ON/OFF CONTROL(Typ.)	Hr1≥65°C FAN ON, ≤55°C FAN OFF			
ENVIRONMENT	WORKING TEMP.	-25-----70°C (Refer to "Derating Curve")			
	WORKING HUMIDITY	20%---90% RH non-condensing			
	STORAGE TEMP, HUMIDITY	-40-----85°C 10%---95% RH			
	TEMP. COEFFICIENT	± 0.03%/ 50°C (0 ~ 50°C)			
	VIBRATION	10 ~ 500Hz, 5G 10min./1cycle, 60min. each along X, Y, Z axes			

<b>SAFETY</b>	SAFETY STANDARDS	IEC/EN/UL/CSA 60950 GB4943
	WITHSTAND VOLTAGE	I/P-O/P:3KVAC, I/P-FG:2KVAC, O/P-FG:0.5KVAC
	EMC EMISSION	Compliance to BSMI CNS13438, EAC TP TC 020
	EMC IMMUNITY	Compliance to EAC TPTC 020
	ISOLATION RESISTANCE	I/P-O/P, I/P-FG, O/P-FG:100M Ohms/500VDC / 25°C / 70% RH
<b>OTHERS</b>	MTBF	≥327.9K hrs min. MIL-HDBK-217F (25°C)
	DIMENSION (L*W*H mm)	290*216*68 mm (L*W*H)
	PACKING	5pcs /13.5kg / 0.06m <sup>3</sup> / CTN
	PRODUCT WEIGHT	2.5KGS
<b>NOTES</b>	<ol style="list-style-type: none"> <li>All parameters NOT specially mentioned are measured at 230VAC input, rated load and 25°C of ambient temperature.</li> <li>Ripple &amp; noise are measured at 20MHz of bandwidth by using a 12" twisted pair-wire terminated with a 0.1uf &amp; 47uf parallel capacitor.</li> <li>Tolerance: includes set up tolerance, line regulation and load regulation.</li> <li>Line regulation is measured from low line to high line at rated load.</li> <li>Load regulation is measured from 0% to 100% rated load.</li> <li>Length of set up time is measured at cold first start. Turning ON/OFF the power supply very quickly may lead to increase of the set up time.</li> <li>Integrated power supply system, when there is one channel over current, the PTC goes shortcut or glass fuse blow, this does not affect other channels. when over current fault is removed, PTC resumes automatically or replace broken glass fuse by hand, and this channel recovered to normal working state. When the peak load of the unit reaches 150% and delivers for over 1 second, it enters hiccup mode and recovers once rated current lower than 150%.</li> <li>The ambient temperature derating of 5°C/1000m is needed for operating altitude greater than 2000m(6500ft).</li> </ol>	

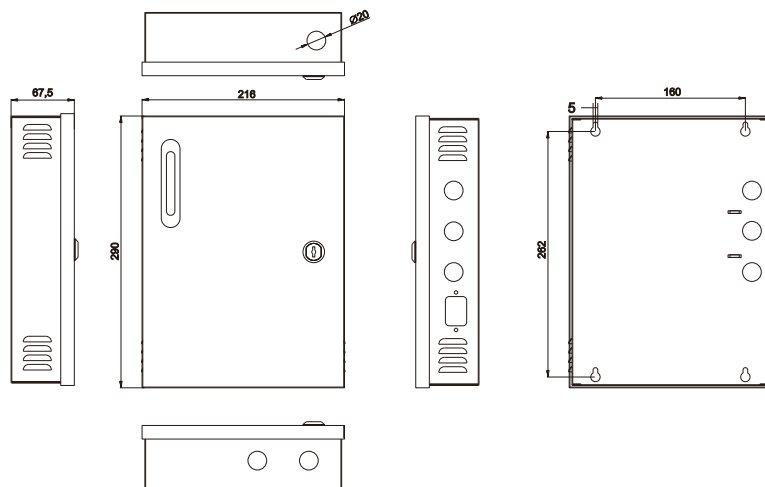
## Block Diagram



## Derating Curve



## Mechanical Specification



## Packing

