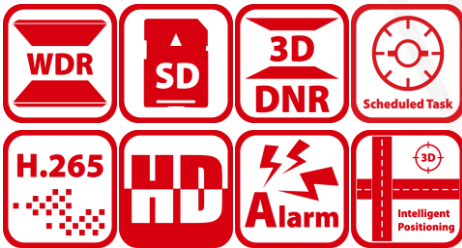


DS-2DP0818ZIXS-DE/440/T2 180° Stitched 8 MP PanoVu Camera with PTZ

PanoVu



Hikvision DS-2DP0818ZIXS-DE/440/T2 180° Stitched 8 MP PanoVu Camera with PTZ is able to capture panoramic images as well as close-up images, offering both panorama and details. The panoramic images are captured by four sensors, which could realize 180° panorama monitoring. The integration of two cameras can locate the details fast over expansive area. Furthermore, with its advanced video analysis and multiple targets tracking algorithm, PanoVu camera also features a wide range of smart functions for multiple targets within the panoramic view filed, including intrusion detection, line crossing detection, region entrance detection, and region exiting detection. The camera could also output alarm signals to link the PTZ for tracking to improve the security efficiency. This product is suitable for the application scenarios in which expansive monitor and detail capture are both required, such as airport, station, stadium, playground, scenic area, and public square.

Panoramic Camera

- Four 1/1.8" 2 MP progressive scan CMOS
- Up to 4096 × 1800 resolution @30fps
- Horizontal field of view: 180°
Vertical field of view: 85°
- Min. illumination
Color: 0.0005 Lux @(F1.6, AGC ON)
B/W: 0.0001 Lux @(F1.6, AGC ON)
- Supports people density detection in panoramic channel

Tracking PTZ Camera

- 1/1.8" 4 MP progressive scan CMOS
- Up to 2560 × 1440 resolution @30fps
- Pan and tilt range: 360° (Pan), -15° to 90° (Tilt)
- Min. illumination
Color: 0.0005 Lux @(F1.2, AGC ON)
B/W: 0.0001 Lux @(F1.2, AGC ON)
0 Lux with IR
- 40 × Optical Zoom, 16 × Digital Zoom
- IR distance: 250 m



Specification

Camera Module	
One-touch Link	Yes
Tracking Mode	Manual/ Auto
Multiple Targets Tracking	Yes
Number of Targets	Up to 30 targets can be detected at the same time.
Target Switch Time	<1 s
Calibration	Manual/ Auto
Smart Image Enhancement	HLC, BLC, 3D DNR, Regional Exposure
Panoramic Camera	
Image Sensor	1/1.8" progressive scan CMOS
Min. Illumination	Color: 0.0005 Lux @(F1.6, AGC ON) B/W: 0.0001 Lux @(F1.6, AGC ON)
Focal Length	2.8 mm
Field of View	Horizontal field of view: 180° Vertical field of view: 85°
Main Stream Resolution	50Hz: 25fps (4096 × 1800, 3840 × 1680, 2720 × 1192) 60Hz: 30fps (4096 × 1800, 3840 × 1680, 2720 × 1192)
Sub-Stream Resolution	50Hz: 25fps (704 × 320, 512 × 232) 60Hz: 30fps (704 × 320, 512 × 232)
Third Stream Resolution	50Hz: 25fps (2048 × 896, 1280 × 560, 704 × 320, 512 × 232) 60Hz: 30fps (2048 × 896, 1280 × 560, 704 × 320, 512 × 232)
Privacy Mask	8 programmable polygon privacy masks, mask color configurable
Tracking PTZ Camera	
Image Sensor	1/1.8" progressive scan CMOS
Min. Illumination	Color: 0.0005 Lux @(F1.2, AGC ON) B/W: 0.0001 Lux @(F1.2, AGC ON) 0 Lux with IR
Shutter Speed	1 s to 1/30,000 s
Slow Shutter	Yes
Focal Length	6.0 to 240 mm
Zoom Speed	Approx. 4.8 s
FOV	Horizontal field of view: 56.6° to 1.8° (Wide-Tele) Vertical field of view: 33.7° to 1.0° (Wide-Tele) Diagonal field of view: 63.4° to 2.0° (Wide-Tele)
Working Distance	10 mm to 1500 mm (Wide-Tele)
Aperture	F1.2
Digital Zoom	16 ×
Optical Zoom	40 ×
WDR	120 dB
EIS	Yes
Optical Defog	Yes

Regional Focus	Yes
Pan and Tilt Range	Pan: 360° endless, Tilt: -15° to 90° (Auto Flip)
Pan and Tilt Speed	Pan Manual Speed: 0.1°/s to 210°/s (Configurable), Pan Preset Speed: 240°/s Tilt Manual Speed: 0.1°/s to 150°/s (Configurable), Tilt Preset Speed: 200°/s
Proportional Zoom	Yes
Preset	300
Patrol Scan	8 patrols
Pattern Scan	4 patterns
Park Action	Preset/ Pattern Scan/ Patrol Scan/ Auto Scan/ Tilt Scan/ Random Scan/ Frame Scan/ Panorama Scan
Scheduled Task	Preset/ Pattern Scan/ Patrol Scan/ Auto Scan/ Tilt Scan/ Random Scan/ Frame Scan/ Panorama Scan/ Dome Reboot/ Dome Adjust
Privacy Mask	24 programmable polygon privacy masks, mask color configurable
3D Positioning	Yes
PTZ Status Display	Yes
Preset Freezing	Yes
Main Stream Resolution	50Hz: 25fps (2560 × 1440, 1920 × 1080, 1280 × 960, 1280 × 720) 60Hz: 30fps (2560 × 1440, 1920 × 1080, 1280 × 960, 1280 × 720)
Sub-Stream Resolution	50Hz: 25fps (704 × 576, 640 × 480, 352 × 288) 60Hz: 30fps (704 × 480, 640 × 480, 352 × 240)
Third Stream Resolution	50Hz: 25fps (1920 × 1080, 1280 × 960, 1280 × 720, 704 × 576, 640 × 480, 352 × 288) 60Hz: 30fps (1920 × 1080, 1280 × 960, 1280 × 720, 704 × 480, 640 × 480, 352 × 240)
Illuminator	
IR Distance	250 m
Smart IR	Yes
Video	
H.264 Type	Baseline Profile/Main Profile/High Profile
Video Compression	Main Stream: H.265/H.264 Sub-Stream: H.265/H.264/MJPEG Third Stream: H.265/H.264
H.264+	Yes
H.265+	Yes
Audio	
Audio Compression	G.711alaw/G.711ulaw/G.722.1/G.726/MP2L2/PCM
Smart Features	
Smart Event	[Panoramic Channel] Intrusion detection, line crossing detection, region entrance detection, region exiting detection [PTZ Channel] Intrusion detection, line crossing detection, region entrance detection, region exiting detection, unattended baggage detection, object removal detection

Face Capture	[PTZ Channel] Support detecting up to 30 faces at the same time. Support detecting, tracking, capturing, grading, selecting of face in motion, and output the best face picture of the face
People Density	[Panoramic Channel] Support detecting the level of people density in the configured area
Smart Tracking	Manual Tracking; Panoramic Tracking; Event Tracking; support patrol tracking in multiple scenes
Alarm Linkage	Preset, patrol scan, pattern scan, memory card video recording, alarm output, sending email, notify surveillance center, upload to FTP
Smart Encoding	H.265+, H.264+, ROI, SVC
Network	
Network Storage	NAS (NFS, SMB/CIFS)
Protocols	TCP/IP, IPv4/IPv6, HTTP, HTTPS, 802.1x, Qos, FTP, SMTP, UPnP, SNMP, DNS, DDNS, NTP, RTSP, RTCP, RTP, UDP, IGMP, ICMP, DHCP, PPPoE, Bonjour
API	Open-ended API, ONVIF (Profile S, Profile G, Profile T), ISAPI, Hikvision SDK, Third-party management platform, ISUP
Simultaneous Live View	20
User/Host	32
Smooth Streaming	Yes
Security Measures	Authenticated username and password, MAC address binding, HTTPS encryption, 802.1X authenticated access, IP address filter
Client	iVMS-4200
Web Browser	IE 8+
Interface	
Communication Interface	RJ45, Self-adaptive 10 M/100 M/1000 M Ethernet Interface
Fiber Interface	FC interface, built-in fiber module, 1000M, TX1310/RX1550 nm wavelength, single module fiber, up to 20 km transmission distance
On-board Storage	Built-in microSD slot, support microSD/microSDHC/microSDXC cards, up to 256 GB
RS-485	Half duplex, HIKVISION, Pelco-P and Pelco-D self-adaptive
Alarm Input	7-ch alarm input
Alarm Output	2-ch alarm output
Audio Input	1 built-in microphone, 1 audio input, 2.0 to 2.4Vp-p, 1k Ohm±10%
Audio Output	1 audio output, line level, impedance: 600 Ω
General	
Power	36 VDC, max. 150 W; Hi-POE, max. 75 W
Working Temperature	-40°C to 70°C (-40°F to 158°F)
Working Humidity	≤ 95%
Protection	IP66 Standard, IK10, 6000V Lightning Protection, Surge Protection and Voltage Transient Protection
Reset	Yes
Demist	Yes
Material	ADC12

Dimensions	Φ 391.8mm × 400.5mm (Φ 15.43"×15.77")
Weight	Approx. 18 kg (39.68 lb)

DORI

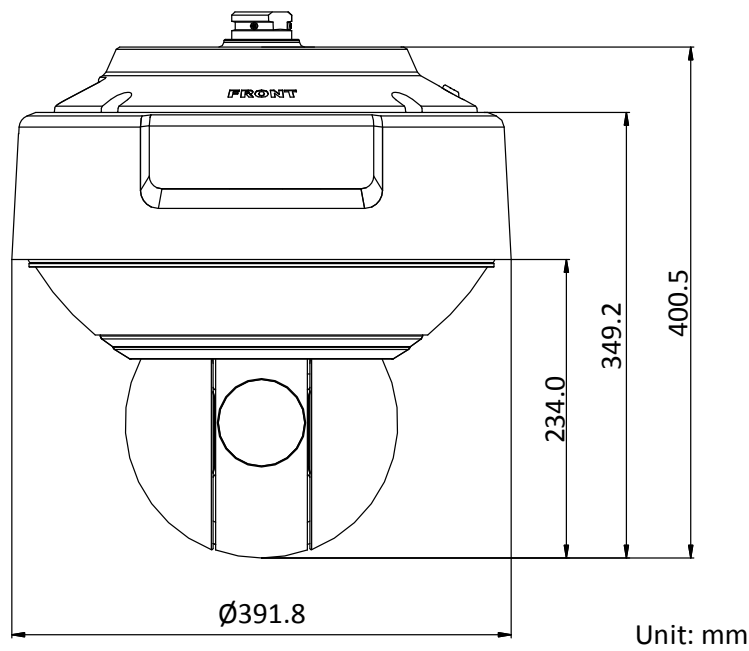
The DORI (detect, observe, recognize, identify) distance gives the general idea of the camera ability to distinguish persons or objects within its field of view. It is calculated based on the camera sensor specification and the criteria given by EN 62676-4: 2015.

DORI	Detect	Observe	Recognize	Identify
Definition	25 px/m	63 px/m	125 px/m	250 px/m
Distance (Tele)	4137.9 m (13575.8 ft)	1642.0 m (5387.1 ft)	827.6 m (2715.2 ft)	413.8 m (1357.6 ft)

Available Model

DS-2DP0818ZIXS-DE/440/T2 (2.8 mm)

Dimensions



Accessory

Optional



DS-1603ZJ-P
Wall Mounting Bracket



DS-1668ZJ-P
Pendant Mounting Bracket



DS-1668ZJ(20)-P
Pendant Mounting Bracket



DS-1603ZJ-Pole-P
Vertical Pole Mounting Bracket

Distributed by



HIKVISION®

Headquarters

No.555 Qianmo Road, Binjiang District,
Hangzhou 310051, China
T +86-571-8807-5998
overseasbusiness@hikvision.com

Hikvision USA
T +1-909-895-0400
sales.usa@hikvision.com

Hikvision Australia
T +61-2-8599-4233
salesau@hikvision.com

Hikvision India
T +91-22-28469900
sales@pramahikvision.com

Hikvision Canada
T +1-866-200-6690
sales.canada@hikvision.com

Hikvision Thailand
T +662-275-9949
sales.thailand@hikvision.com

Hikvision Europe
T +31-23-5542770
sales.eu@hikvision.com

Hikvision Italy
T +39-0438-6902
info.it@hikvision.com

Hikvision Brazil
T +55 11 3318-0050
Latam.support@hikvision.com

Hikvision Turkey
T +90 (216)521 7070- 7074
sales.tr@hikvision.com

Hikvision Malaysia
T +601-7652-2413
sales.my@hikvision.com

Hikvision UK & Ireland
T +01628-902140
sales.uk@hikvision.com

Hikvision South Africa
Tel: +27 (10) 0351172
sale.africa@hikvision.com

Hikvision France
T +33(0)1-85-330-450
info.fr@hikvision.com

Hikvision Kazakhstan
T +7-727-9730667
nikia.panfilov@hikvision.ru

Hikvision Vietnam
T +84-974270888
sales.vt@hikvision.com

Hikvision UAE
T +971-4-4432090
salesme@hikvision.com

Hikvision Singapore
T +65-6684-4718
sg@hikvision.com

Hikvision Spain
T +34-91-737-16-55
info.es@hikvision.com

Hikvision Tashkent
T +99-87-1238-9438
uzb@hikvision.ru

Hikvision Hong Kong
T +852-2151-1761
info.hk@hikvision.com

Hikvision Russia
T +7-495-669-67-99
saleru@hikvision.com

Hikvision Korea
T +82-(0)31-731-8817
sales.korea@hikvision.com

Hikvision Poland
T +48-22-460-01-50
info.pl@hikvision.com

Hikvision Indonesia
T +62-21-2933759
Sales.Indonesia@hikvision.com

Hikvision Colombia
sales.colombia@hikvision.com