

## DS-1331HZ-CE

Outdoor Housing



### Features:

- Adopt side-cover design for convenient installation and maintenance.
- Adopt stainless steel dual-hasps design, water-proof up to IP 67
- Partial glass silk print to protect imaging area
- Built-in automatic temperature control system to ensure stable running.
- **POE(802.3at) module for camera and fan**

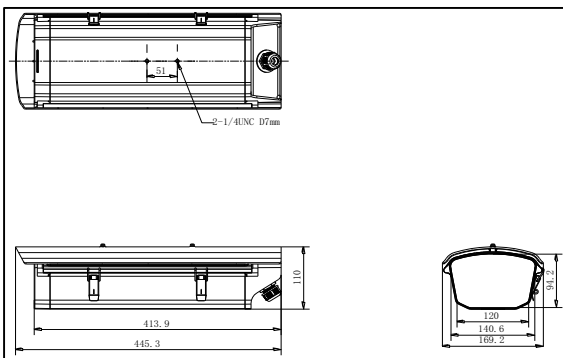
### Notice:

- Read the instructions carefully and observe all warnings before installing this equipment.
- Turn off the power before wiping this equipment, do not use liquid or spray cleaning agent.
- Do not install on unstable bracket.
- Protect the power line, especially the flexible line of the plug and camera.

### Order Model:

DS-1331HZ-CE

### Dimension:



### Installation:



DS-1293ZJ Wall Mount



DS-1214ZJ Horizontal Pole Mount



DS-1269ZJ Pendant Mount



DS-1233ZJ Column Mount

### Parameter:

Parameters	Model	DS-1331HZ-CE
		Outdoor Housing
Produce features		Contain fan, suitable for high temperature environment
Working temperature		-20°C ~ +60°C, Humidity 95% or less (non-condensing)
Automatic temperature control range		Without heating Fan on: 45°±5°C Fan off: 35°±5°C
Power		<b>DC12V&amp;POE(802.3at)</b>
Power consumption		Fan: 4W
Protection level		IP67
Material		Main: aluminum alloy Window: glass
Dimension(mm)		455.3×169.2×110
Matching power supply		<b>DC12V&amp;POE(802.3at)</b>
Weight		1900g

### Wiring:

