



2 Year Warranty

BWare™
Wireless PIR & PIR Pet
Detector
Rivelatore Radio PIR e PIR
Pet
Detector PIR y PIR PET
inalámbrico
Décteur Sans-Fil IRP & IRP
immunité animal
PIR sem fio e PIR Pet Detector

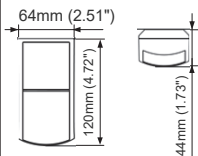


PIR: 12 µA standby
PIR Pet: 12 µA standby

868.65MHz / 433.92MHz

0-255 min.

2 x CR 123, 3V Lithium
= 3 Y Typical
Low Battery Threshold: 2.6V
Power Output: 10mW



145g (5.1oz.)

-10°C > 55°C
(14°F > 131°F)

EN Introduction and Features

The Wireless BWare™ PIR detector is a professional level detector that combines a streamlined and modern design with cutting-edge intrusion detection technologies which contribute to its superior performance and reliability.

- 15m (90') coverage
- Cover and wall tamper

IT Introduzione e Caratteristiche

BWare™ PIR radio bidirezionale è un rivelatore di movimento professionale che unisce un moderno ed elegante design ad una serie di caratteristiche avanzate per la rilevazione degli intrusi al fine di garantire prestazioni superiori ed elevata affidabilità.

- Copertura 15 metri
- Tamper apertura e rimozione

ES Introducción y características

El detector inalámbrico BWare™ PIR es un detector de nivel profesional el cual combina un diseño moderno y estilizado con las últimas tecnologías de detección, lo que contribuye a su rendimiento y fiabilidad superior.

- 15m (90') cobertura
- Tamper de tapa y tamper

FR Introduction et Caractéristiques

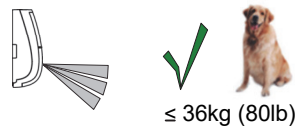
Le détecteur sans fil BWare™ IRP est un détecteur de niveau professionnel qui allie un design épuré et moderne avec des technologies de détection intrusion de pointe qui contribuent à sa performance et de fiabilité.

- Couverture 15m (90')
- Autoprotection à l'ouverture et à l'arrachement

PT Introdução e características

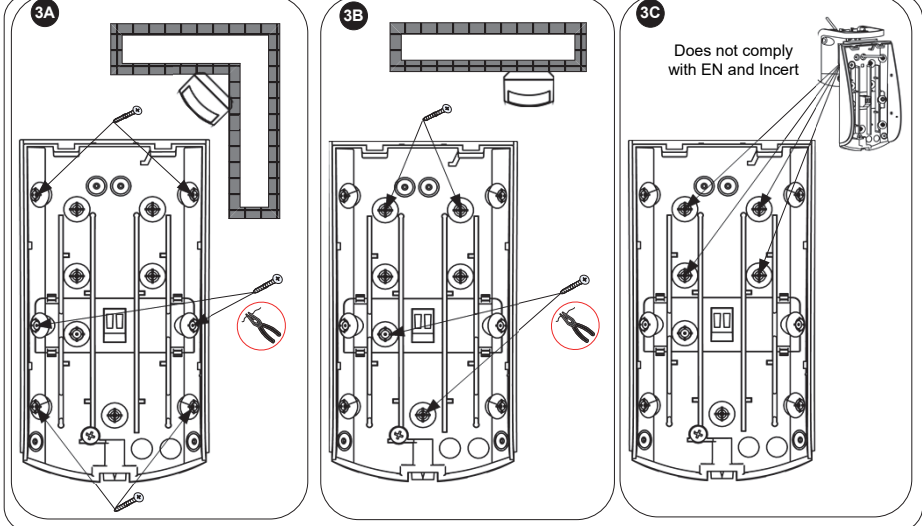
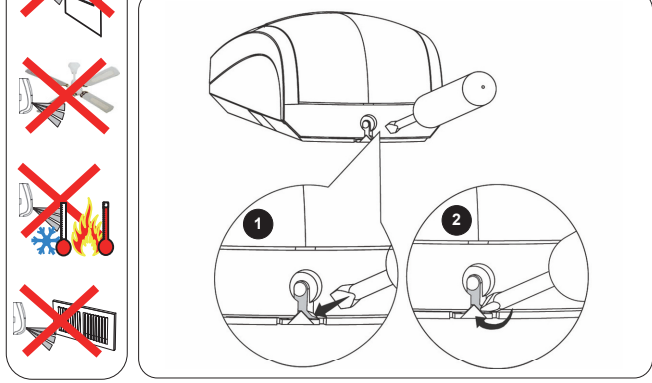
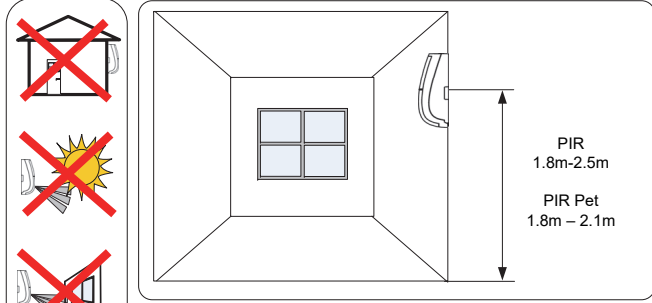
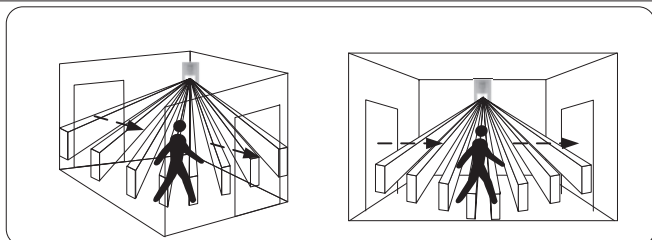
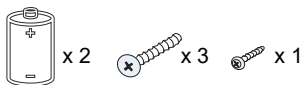
O detector sem fio BWare™ PIR é um detector de nível profissional que combina um design aerodinâmico e moderno, com tecnologias de ponta de detecção de intrusão que contribuem para o seu desempenho e confiabilidade superiores.

- Cobertura de 15m (90')
- Cubra e parede de adulteração



PIR 868/433MHz
Model: RWX515PR

PIR Pet 868/433MHz
Model: RWX515PT



EN Registering the Detector into the system

The BWare must identify itself to the system receiver. This can be done by typing the 11 digit serial number of the detector into the system or using RF mode. To register the detectors using the serial number refer to the system installation manual.

Enrolling using RF communication

1. Set the receiver to Learn mode.
2. Insert the batteries connect the detector to the mounting bracket and wait for at least 3 seconds. The BWare will send a WRITE message. A successful learning will be indicated by:
 - (A) The system will sound a confirmation message and indicate the detector allocation in the system.
 - (B) The BWare will blink.

IT Registrazione del rivelatore nel sistema

BWare deve essere identificato dal ricevitore del sistema. Per farlo, inserire il numero di serie a 11 cifre del rivelatore nel sistema o utilizzare la modalità RF. Per registrare il rivelatore utilizzando il numero di serie, fare riferimento al manuale di installazione del sistema utilizzato.

Memorizzazione tramite comunicazione RF

1. Impostare il ricevitore in modalità di apprendimento.
2. Inserire le batterie e montare il rivelatore sulla staffa di fissaggio poi attendere almeno 3 secondi. BWare invierà un messaggio WRITE se l'apprendimento è riuscito:
 - (A) Il sistema emetterà un segnale acustico con messaggio di conferma indicando la memorizzazione del rivelatore nel sistema.
 - (B) Il BWare lampeggerà.

ES Registrando el detector en el sistema

El BWare debe identificarse en el receptor del sistema. Esto puede hacerse escribiendo en el sistema el número de serie de 11 dígitos del detector, o bien usando el modo RF (Radio Frecuencia). Para registrar el detector usando el número de serie, consulte el manual de instalación.

Enrolando el detector utilizando comunicación RF

1. Configure el receptor en modo aprendizaje (Learn).
2. Inserte las baterías, conecte el detector a su brazo de montaje y espere al menos 3 segundos. BWare enviará un mensaje de escritura (WRITE). El aprendizaje correcto será indicado por:
 - (A) El sistema emitirá un mensaje de confirmación e indicará la ubicación del detector en el sistema.
 - (B) El LED de BWare parpadeará.

FR Enregistrement du détecteur dans le système

Le modèle BWare doit être identifié par le système récepteur. Ceci peut être fait en entrant les 11 chiffres du numéro de série du détecteur dans le système ou en employant le mode RF. Pour enregistrer le détecteur en utilisant le numéro de série, consultez le manuel d'installation.

Utilisation de la communication RF pour l'inscription

1. Réglez le récepteur en mode Apprentissage.
2. Insérez les piles et attachez le détecteur à son support de montage et attendez au moins 3 secondes. Le BWare enverra un message d'écriture. Un apprentissage réussi est indiqué par:
 - (A) Le système émet un message de confirmation et indique l'allocation du détecteur dans le système.
 - (B) Le BWare clignotera.

PT Registrando o detector no sistema

O BWare deve identificar-se ao receptor do sistema. Isto pode ser executado ao digitar o número de série de 11 dígitos do detector no sistema ou utilizando o modo de rádio frequência. Para registrar o detector utilizando o número de série, consulte o manual de instalação do sistema.

Inscrição através de comunicação de rádio frequência

1. Configure o receptor para o modo "Learn".
2. Introduza as baterias ligar o detector para o suporte de montagem e aguardar durante pelo menos 3 segundos. O BWare enviará uma mensagem WRITE. Um aprendizado bem sucedido será indicado por:
 - (A) O sistema enviará o som de uma mensagem de confirmação, e indicará a atribuição do detector no sistema.
 - (B) O BWare irá piscar.

EN Parameters set by the system:

Parameters	Option
Sensibility (PIR)	Low*/High
Operation	Normal (2.5 min)* / Walk Test (0)
Supervision	0-255 min
LED	Off/On*

* = default

For detailed instructions, refer to the LightsYS2 / ProSYS Plus Full Installer Guide.

IT Parametri impostati dalla centrale:

Parametro	Opzione
Sensibilità PIR	Bassa/Alta
Modo operativo	Normale (2.5 min.) / Test sensore (0 min.)
Supervisione	Da 0 a 255 minuti
LED	Off/On

* = programmazione di fabbrica (default)

Per maggiori informazioni vedere la guida di installazione.

ES Parámetros configurados por el sistema:

Parámetros	Opción
Sensibilidad (PIR)	Baja/Alta
Operación	Normal (2.5 min / Walk Test (0)
Supervisión	0-255 min
LED	Off/On

* = predef

Para más información vea la guía de instalación.

FR Paramètres configurés:

Paramètres	Option
Sensibilité (PIR)	Faible/Elevé
Opération	Normal (2.5 min)/Test de marche (0)
Supervision	0-255 min
LED	Off/On

* = valeur par défaut

Pour plus d'informations, consultez le manuel d'installation.

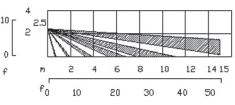
PT Parâmetros do seteo:

Parâmetros	Opção
Sensibilidade (PIR)	Baixa/Alta
Operação	Normal (2.5 min)/Teste de Caminhada (0)
Supervisão	0-255 min
LED	Desativado/Ativado

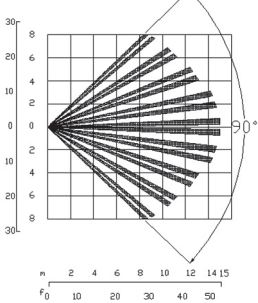
* = padrão

Para mais informações, consulte o guia de instalação do sistema.

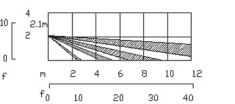
Wireless PIR – Side View



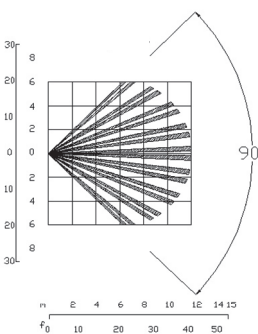
Wireless PIR – Top View



Wireless PIR PET – Side View



Wireless PIR PET – Top View



EN LED Display

LED	State	Description
Blue	On	Alarm
	Flashing (4-times)	Low battery indicator

IT LED Stato e descrizione

LED	Stato	Descrizione
Blu	Acceso	Allarme
	Lampeggiante	Batteria scarica

ES Indicación de los LEDs

LED	Estado	Descripción
Azul	On	Alarma
	Parpadeando	Batería baja

FR Affichage LED

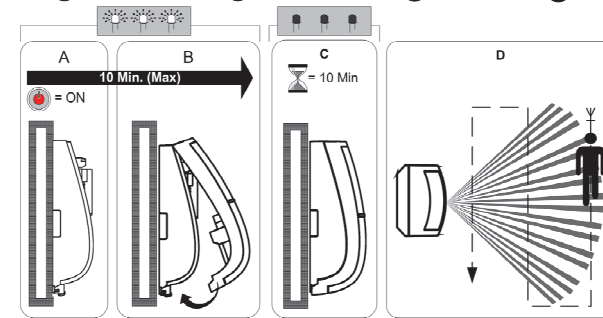
LED	Etat	Description
Bleue	Allumée	Alarme
	Clignotante (4 fois)	Indicateur de batterie faible

PT Visualização dos LEDs

LED	Estado	Descrição
Azul	Aceso	ALARME
	Intermitente (4 vezes)	Indicador de bateria fraca

6

EN Walk Test **IT** Prova di movimento **ES** Prueba de detección **FR** Test de Marche **PT** Prova de Movimento



Standard Limited Product Warranty

RISCO Ltd, its subsidiaries and affiliates ("Risco") guarantee Risco's hardware products to be free from defects in materials and workmanship when used and stored under normal conditions and in accordance with the instructions for use supplied by Risco, for a period of (i) 24 months from the date of connection to the Risco Cloud (for cloud connected products) or (ii) 24 months from production (for other products which are non-cloud connected), as the case may be (each, the "Product Warranty Period" respectively).

Contact with customers only. This Product Warranty is solely for the benefit of the customer who purchased the product directly from Risco, or from any authorized distributor of Risco. Nothing in this Warranty obligates Risco to accept product returns directly from end users that purchased the products for their own use from Risco's customer or from any installer of Risco, or otherwise provide warranty or other services to any such end user. Risco customer shall handle all interactions with its end users in connection with the Warranty, inter alia regarding the Warranty. Risco's customer shall make no warranties, representations, guarantees or statements to its customers or other third parties that suggest that Risco has any warranty or service obligation to, or any contractual privity with, any recipient of a product.

Return Material Authorization. In the event that a material defect in a product shall be discovered and reported during the Product Warranty Period, Risco shall, at its option, and at customer's expense, either: (i) accept return of the defective Product and repair or have repaired the defective Product, or (ii) accept return of the defective Product and provide a replacement product to the customer. The customer must obtain a Return Material Authorization ("RMA") number from Risco prior to returning any Product to Risco. The returned product must be accompanied with a detailed description of the defect discovered ("Defect Description") and must otherwise follow Risco's then-current RMA procedure in connection with any such return. If Risco determines in its reasonable discretion that any Product returned by customer conforms to the applicable warranty ("Non-Defective Products"), Risco will notify the customer of such determination and will return the applicable Product to customer at customer's expense. In addition, Risco may propose and assess customer a charge for testing and examination of Non-Defective Products.

Entire Liability. The repair or replacement of products in accordance with this warranty shall be Risco's entire liability and customer's sole and exclusive remedy in case a material defect in a product shall be discovered and reported as required herein. Risco's obligation and the Warranty are contingent upon the full payment by customer for such Product and upon a proven weekly testing and examination of the product functionality. **Limitations.** The Product Warranty is the only warranty made by Risco with respect to the Products. The warranty is not transferable to any third party. To the maximum extent permitted by applicable law, the Product Warranty does not apply and will be void if: (i) the conditions set forth above are not met (including, but not limited to, full payment by customer for the product and a proven weekly testing and examination of the product functionality); (ii) if the Products or any part or component thereof: (a) have been subjected to improper operation or installation; (b) have been subject to neglect, abuse, willful damage, abnormal working conditions, failure to follow Risco's instructions (whether oral or in writing); (c) have been misused, altered, modified or repaired without Risco's written approval or combined with, or installed on products, or equipment of the customer or of any third party; (d) have been damaged by any factor beyond Risco's reasonable control such as, but not limited to, power failure, electric power surges, or unsuitable third party components and the interaction of software therewith or (e) any delay or other failure in performance of the product attributable to any means of communications, provided by any third party service provider (including, but not limited to) GSM interruptions, lack of or internet outage and/or telephony failure.

BATTERIES ARE EXPLICITLY EXCLUDED FROM THE WARRANTY AND RISCO SHALL NOT BE HELD RESPONSIBLE OR LIABLE IN RELATION THERETO, AND THE ONLY WARRANTY APPLICABLE THERETO, IF ANY, IS THE BATTERY MANUFACTURER'S WARRANTY. Risco makes no other warranty, expressed or implied, and makes no warranty of merchantability or of fitness for any particular purpose. For the sake of good order and avoidance of any doubt:

DISCLAIMER. EXCEPT FOR THE WARRANTIES SET FORTH HEREIN, RISCO AND ITS LICENSORS HEREBY DISCLAIM ALL EXPRESS, IMPLIED OR STATUTORY, REPRESENTATIONS, WARRANTIES, GUARANTEES, AND CONDITIONS WITH REGARD TO THE PRODUCTS, INCLUDING BUT NOT LIMITED TO ANY REPRESENTATIONS, WARRANTIES, GUARANTEES, AND CONDITIONS OF MERCHANTABILITY, FITNESS FOR A PARTICULAR PURPOSE, TITLE AND LOSS OF DATA, WITHOUT LIMITING THE GENERALITY OF THE FOREGOING, RISCO AND ITS LICENSORS DO NOT REPRESENT OR WARRANT THAT: (i) THE OPERATION OR USE OF THE PRODUCT WILL BE TIMELY, SECURE, UNINTERRUPTED OR ERROR-FREE; (ii) THAT ANY FILES, CONTENT OR INFORMATION OF ANY KIND THAT MAY BE ACCESSED THROUGH THE PRODUCT BY CUSTOMER OR END USER SHALL REMAIN SECURED OR NON-DAMAGED; (iii) CUSTOMER ACKNOWLEDGES THAT NEITHER RISCO NOR ITS LICENSORS CONTROL THE TRANSFER OF DATA OVER COMMUNICATIONS FACILITIES, INCLUDING THE INTERNET, GSM OR OTHER MEANS OF COMMUNICATIONS AND THAT RISCO'S PRODUCTS, MAY BE SUBJECT TO LIMITATIONS, DELAYS, AND OTHER PROBLEMS INHERENT IN THE USE OF SUCH MEANS OF COMMUNICATIONS. RISCO IS NOT RESPONSIBLE FOR ANY DELAYS, DELIVERY FAILURES, OR OTHER DAMAGE RESULTING FROM SUCH PROBLEMS.

RISCO WARRANTS THAT ITS PRODUCTS DO NOT, TO THE BEST OF ITS KNOWLEDGE, INFRINGE UPON ANY PATENT, COPYRIGHT, TRADEMARK, TRADE SECRET OR OTHER INTELLECTUAL PROPERTY RIGHT IN ANY EVENT RISCO SHALL NOT BE LIABLE FOR ANY AMOUNTS REPRESENTING LOST REVENUES OR PROFITS, PUNITIVE DAMAGES, OR FOR ANY OTHER INDIRECT, SPECIAL, INCIDENTAL, OR CONSEQUENTIAL DAMAGES, EVEN IF THEY WERE FORESEEABLE OR RISCO HAS BEEN INFORMED OF THEIR POTENTIAL.

Risco does not install or integrate the product in the end user security system and is therefore not responsible for and cannot guarantee the performance of the end user security system which uses the product. Risco does not guarantee that the product will prevent any personal injury or property loss by burglary, robbery, fire or otherwise; or that the product will in all cases provide adequate warning or protection.

Customer understands that a correctly installed and maintained alarm may only reduce the risk of burglary, robbery or fire without warning, but is not an assurance or a guarantee that such an event will not occur or that there will be no personal injury or property loss as a result thereof. Consequently Risco shall have no liability for any personal injury, property damage or loss based on a claim that the product fails to give warning. No employee or representative of Risco is authorized to change this warranty in any way or grant any other warranty.

EN and INCERT comply when the PIR Sensitivity is in High sensitivity setting

RED Compliance Statement:

Hereby, RISCO Group declares that this equipment is in compliance with the essential requirements and other relevant provisions of Directive 2014/53/EU. For the CE Declaration of Conformity please refer to our website: www.riscogroup.com

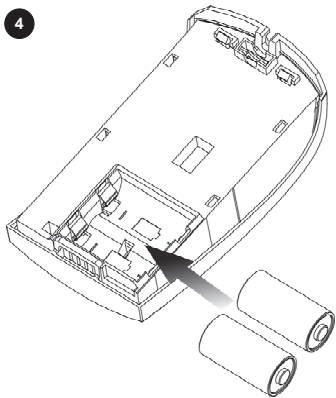
EN50131-2-2 Grade 2 Environmental Class II, EN50131-6 Type C



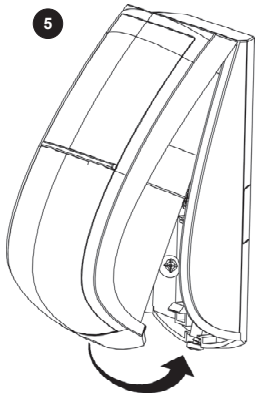
© RISCO Group 03/2018

5IN2340 B

4



5



Contacting RISCO Group

RISCO Group is committed to customer service and product support. You can contact us through our website www.riscogroup.com or as follows:

United Kingdom
Tel: +44-161-655-5500
support-uk@riscogroup.com

Brazil
Tel: +55-11-3661-8767
support-br@riscogroup.com

Italy
Tel: +39-02-66590054
support-it@riscogroup.com

Australia
Tel: +1-800-991-542
support-au@riscogroup.com

Spain
Tel: +34-91-490-2133
support-es@riscogroup.com

China (Shanghai)
Tel: +86-21-52-39-0066
support-cn@riscogroup.com

France
Tel: +33-164-73-28-50
support-fr@riscogroup.com

China (Shenzhen)
Tel: +86-755-82789285
support-cn@riscogroup.com

Belgium (Benelux)
Tel: +32-2522-7622
support-be@riscogroup.com

Poland
Tel: +48-22-500-28-40
support-pl@riscogroup.com

USA
Tel: +1-631-719-4400
support-usa@riscogroup.com

Israel
Tel: +972-3963-7777
support@riscogroup.com