

# HIKVISION®

## HiWatch Series

### HWI-D181H-M 8 MP IR Fixed Network Dome Camera



#### Key Features

- High quality imaging with 4K resolution
- Efficient H.265+ compression technology
- Clear imaging even with strong back lighting due to 120 dB WDR
- Water and dust resistant (IP67) and vandal resistant (IK10)
- EXIR 2.0: advanced infrared technology with long IR range
- Hik-Connect cloud service and APP for remote management and views of devices



▪ **Specification**

<b>Camera</b>	
Image Sensor	1/2.5" Progressive Scan CMOS
Min. Illumination	0.01 Lux @ (F2.0, AGC ON)
Shutter Speed	1/3 s to 1/100,000 s
Slow Shutter	Yes
P/N	P/N
Wide Dynamic Range	120 dB
Day & Night	ICR Cut
Angle Adjustment	Pan: 0° to 355°, tilt: 0° to 60°
<b>Lens</b>	
Lens Type & FOV	2.8 mm, horizontal FOV 102°, vertical FOV 53°, diagonal FOV 123°
Aperture	F2.0
Lens Mount	M12
<b>Illuminator</b>	
IR Range	Up to 30 m
Wavelength	850 nm
Smart Supplement Light	Yes
<b>Video</b>	
Max. Resolution	3840 × 2160
Main Stream	50Hz: 12.5 fps (3840 × 2160, 2560 × 1440, 1920 × 1080, 1280 × 720) 60Hz: 15 fps (3840 × 2160, 2560 × 1440, 1920 × 1080, 1280 × 720)
Sub Stream	50Hz: 25 fps (640 × 480, 640 × 360) 60Hz: 30 fps (640 × 480, 640 × 360)
Video Compression	Main stream: H.265+/H.265 Sub-stream: H.265/MJPEG
Video Bit Rate	32 Kbps to 16 Mbps
H.265 Type	Main Profile
H.265+	Main stream supports
Bit Rate Control	CBR/VBR
Scalable Video Coding (SVC)	H.265 supports
Region of Interest (ROI)	1 fixed region for main stream and sub-stream
<b>Network</b>	
Simultaneous Live View	Up to 6 channels

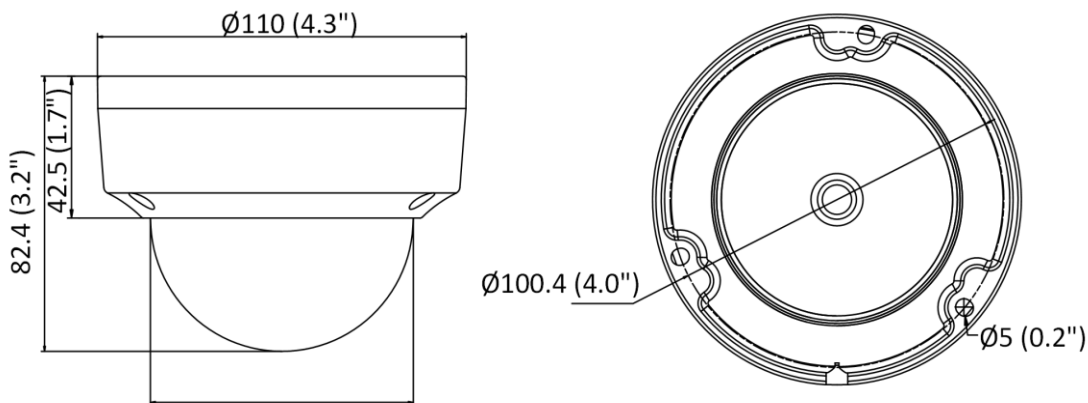
API	Open Network Video Interface (PROFILE S, PROFILE G), ISAPI, SDK, ISUP
Protocols	TCP/IP, ICMP, DHCP, DNS, DDNS, HTTP, HTTPS, RTP, RTSP, NTP, UPnP, IGMP, IPv6, UDP, QoS, Bonjour, FTP, SMTP, 802.1x, SSL/TLS, PPPoE
User/Host	Up to 32 users 3 levels: Administrator, Operator and User
Network Storage	NAS (NFS, SMB/CIFS)
Client	iVMS-4200, Hik-Connect
Web Browser	Plug-in required live view: IE 10, IE 11 Local service: Chrome 57.0+, Firefox 52.0+
<b>Image</b>	
Day/Night Switch	Day, Night, Auto, Schedule
Image Enhancement	BLC, HLC, 3D DNR
Image Settings	Mirror, saturation, brightness, contrast, sharpness, AGC, and white balance adjustable by client software or web browser
Privacy Mask	4 regions of privacy masks
<b>Interface</b>	
Communication Interface	1 RJ45 10M/100M self-adaptive Ethernet port
<b>Smart Feature-Set</b>	
Basic Event	Motion detection, video tampering, exception
Smart Event	Face detection, line crossing detection, intrusion detection
<b>General</b>	
Linkage Method	Upload to FTP/NAS, notify surveillance center, send email, trigger recording, trigger capture
Firmware Version	5.5.104
Web Client Language	33 languages English, Russian, Estonian, Bulgarian, Hungarian, Greek, German, Italian, Czech, Slovak, French, Polish, Dutch, Portuguese, Spanish, Romanian, Danish, Swedish, Norwegian, Finnish, Croatian, Slovenian, Serbian, Turkish, Korean, Traditional Chinese, Thai, Vietnamese, Japanese, Latvian, Lithuanian, Portuguese (Brazil), Ukrainian
General Function	Anti-flicker, heartbeat, password protection, password reset via email
Software Reset	Yes
Storage Conditions	-30 °C to 60 °C (-22 °F to 140 °F). Humidity 95% or less (non-condensing)
Startup and Operating Conditions	-30 °C to 60 °C (-22 °F to 140 °F). Humidity 95% or less (non-condensing)

Power Supply	12 VDC ± 25% PoE: 802.3af, Type 1 Class 3
Power Consumption and Current	12 VDC, 0.4 A, max. 5 W PoE (802.3af, 36 V to 57 V), 0.20 A to 0.15 A,max. 6.5 W
Power Interface	Ø5.5 mm coaxial power plug
Camera Material	Aluminum alloy body
Camera Dimension	Ø110 × 82.4 mm (4.3" × 3.2")
Package Dimension	134 × 134 × 108 mm (5.3" × 5.3" × 4.3")
Camera Weight	Approx. 400 g (0.9 lb.)
With Package Weight	Approx. 590 g (1.3 lb.)
<b>Approval</b>	
EMC	FCC SDoC (47 CFR Part 15, Subpart B); CE-EMC (EN 55032: 2015, EN 61000-3-2: 2014, EN 61000-3-3: 2013, EN 50130-4: 2011 +A1: 2014); RCM (AS/NZS CISPR 32: 2015); IC VoC (ICES-003: Issue 6, 2016); KC (KN 32: 2015, KN 35: 2015)
Safety	UL (UL 60950-1); CB (IEC 60950-1:2005 + Am 1:2009 + Am 2:2013, IEC 62368-1:2014); CE-LVD (EN 60950-1:2005 + Am 1:2009 + Am 2:2013, IEC 62368-1:2014); BIS (IS 13252(Part 1):2010+A1:2013+A2:2015); LOA (IEC/EN 60950-1)
Environment	CE-RoHS (2011/65/EU) WEEE (2012/19/EU) Reach (Regulation (EC) No 1907/2006)
Protection	IP67 (IEC 60529-2013), IK10 (IEC 62262:2002)

## Available Models

HWI-D181H-M (2.8 mm)

**Dimension**



Unit: mm (inch)

DS-1272ZJ-110 Wall Mount	DS-1280ZJ-DM18 Junction box	DS-1276ZJ Corner Mount	DS-1258ZJ Wall Mount	DS-1275ZJ Vertical Pole Mount
				
DS-1271ZJ-110 Pendant Mount	DS-1272ZJ-110B Wall Mount	DS-1259ZJ Inclined Ceiling Mount		
Distributed by 				

**HIKVISION**<sup>®</sup>  
HiWatch Series

**Headquarters**  
No.555 Qianmo Road, Binjiang District,  
Hangzhou 310051, China  
T +86-571-8807-5998  
overseasbusiness@hikvision.com

**Hikvision USA**  
T +1-909-895-0400  
sales.usa@hikvision.com

**Hikvision Italy**  
T +39-0438-6902  
info.it@hikvision.com

**Hikvision Singapore**  
T +65-6684-4718  
sg@hikvision.com

**Hikvision Africa**  
T +27 (10) 0351172  
sale.africa@hikvision.com

**Hikvision Europe**  
T +31-23-55-42-770  
info.eu@hikvision.com

**Hikvision France**  
T +33(0)1-85-330-450  
info.fr@hikvision.com

**Hikvision Oceania**  
T +61-2-8599-4233  
salesau@hikvision.com

**Hikvision Hong Kong**  
T +852-2151-1761

**Hikvision Middle East**  
T +971-4-8816086  
salesme@hikvision.com

**Hikvision Spain**  
T +34-91-737-16-55  
info.es@hikvision.com

**Hikvision Canada**  
T +1-909-895-0400  
sales.usa@hikvision.com

**Hikvision Russia**  
T +7-495-669-67-99  
saleru@hikvision.com

**Hikvision Poland**  
T +48-22-460-01-50  
poland@hikvision.com

**Hikvision Korea**  
T +82-31-731-8841  
sales.korea@hikvision.com

**Hikvision India**  
T +91-22-28469900  
sales@pramahikvision.com

**Hikvision UK**  
T +01628-902140  
support.uk@hikvision.com

**Hikvision Brazil**  
T +55 11 3318-0050  
Latam.support@hikvision.com