

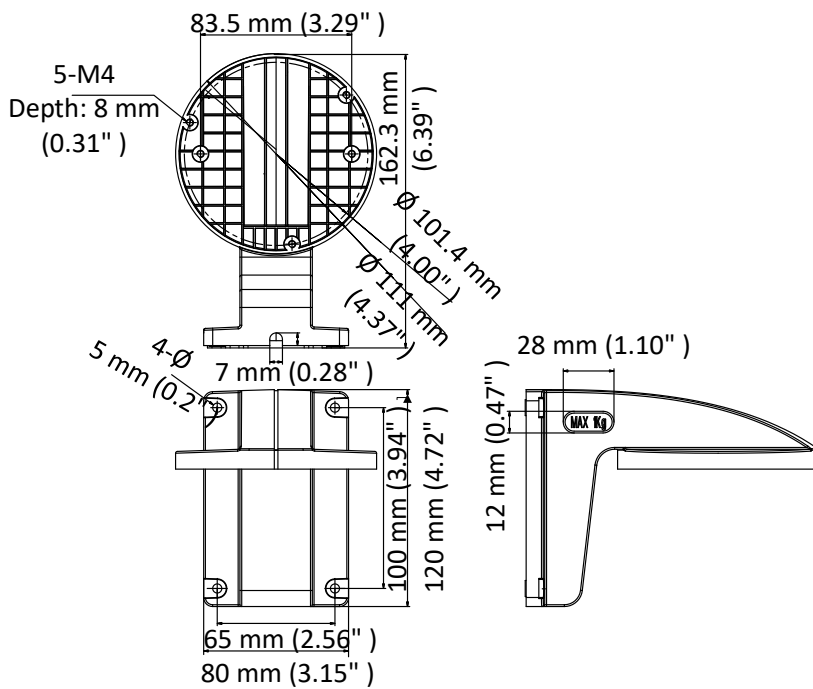
DS-1258ZJ

Wall Mount

Features

- Plastic with surface spray treatment
- Internal cable routing design

Dimension



Available Model

DS-1258ZJ

Parameter

Model	DS-1258ZJ
Parameters	Wall Mount
Appearance	White
Material	ABS+PC
Dimension	Ø 111 mm × 120 mm × 80 mm (4.37" × 4.72" × 3.15")
Weight	200 g (0.44 lb.)

Notes

- The mount should be installed on the flat surface.
- The wall must be capable of supporting at least 3 times as much as the total weight of the camera, and the mount.
- The maximum load capacity of the mount is 1 kg (2.2 lb.).