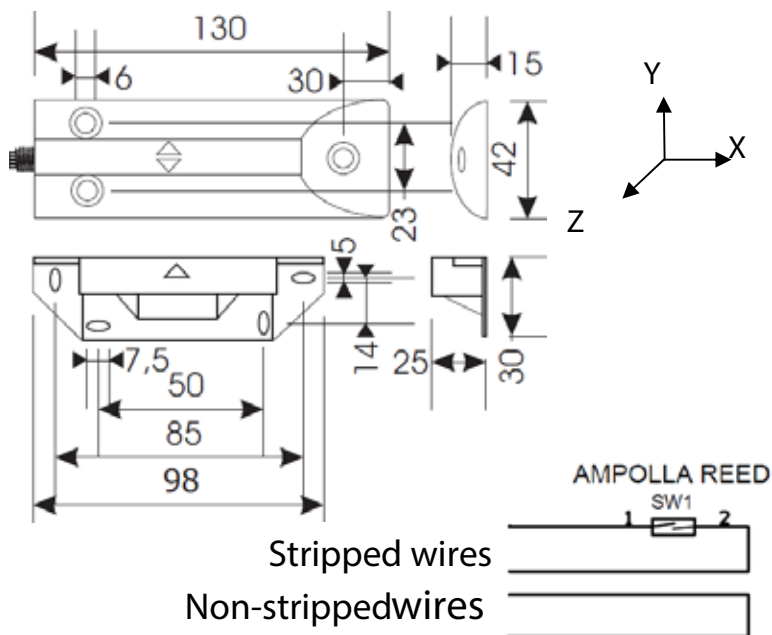


PRODUCT

CTB020

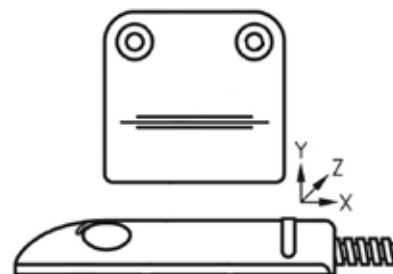


APPROACH AND REMOVAL DISTANCES FOR DIFFERENT AXES (mm)

AXIS	MATERIAL	NON FERROMAGNETIC	
		FERROMAGNETIC	FERROMAGNETIC
Y	APPROACH	35 ±4	30 ±3
	REMOVAL	40 ±4	33 ±3
X	APPROACH	±22 ±4(*)	±21 ±4(*)
	REMOVAL	±23 ±4(*)	±22 ±4(*)
Z	APPROACH	+20 ±3(*) -60 ±5(*)	+18 ±3(*) -50 ±5(*)
	REMOVAL	+22 ±3(*) -62 ±5(*)	+20 ±3(*) -52 ±5(*)

(*) At nominal distance Y=5mm

Magnetic contact with die-cast aluminium housing for surface mounting on ferromagnetic roller shutters and garage doors. Suitable for floor installation. Contact housing 15mm for easy fitting. With armoured cable. Where is possible Y=5mm mounting gap is recommended.



For other models refer to the interpretation diagram below.

Technical

Material/Colour: Aluminium/Aluminium
 Dimension REED: 130x42x15 mm
 Dimension MAGNET: 98x30x25 mm
 Tmin/Tmax: -25/+60°C
 Wiring: 4 white wire 120 cm long
 Approvals: EN50131-2-6 Grade 2 Class IV
 Certificate IMQ: CA12.01264

Electrical

(passive component, maximum value)
 Form A Contact: N.C. with near magnet (see table)
 Pmax: 10VA
 Vmax: 60Vdc; 42,2Vac peak
 Imax: 0.50 A
 R initial max: R=0.1ohm
 R insulation: R=10¹² ohm
 MTBF operations: 10⁸

CTB020 CAx

Optional: cable length > 1 .2m (from 2 to 99 m)
 4 wire cable connection, white, 120 cm length