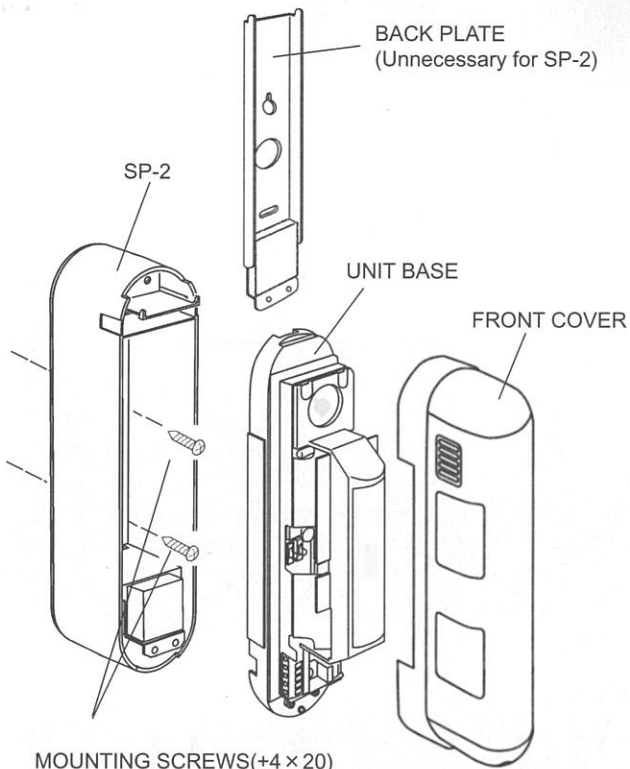


SP-2 allows BX-80N to make space between the units and wall to avoid interruption by obstructions. Such as rain gutter or window frame (60mm offset).



1. MOUNTING

1

MOUNTING TEMPLATE

Use the **MOUNTING TEMPLATE**. Then hold the template against the mounting surface, when SP-2 is to be mounted. Mark the position of the mounting hole and wiring hole then discard template. Then fasten the unit on the marked position.

2

Draw cable out of the cable hole of the unit to complete wiring. Hook the unit onto SP-2 and fix with 2 supplied screws.

3

Put the unit on and conduct walk test. After completed turn the lock screw on the cover.

2. MOUNTING ON A GUTTER

In case detection can be blocked by unwanted object it is possible to mount a gutter using Metal strap.
 *Use Metal strap on the market as it is not included on this package. (Max strap size : Width 20mm / Thickness 0.5mm)

1

Use the knockout on the backside of the SP-2.

2

Use the metal strap to fix the unit. Tightly strap the unit on a gutter. (Max strap size : Width 20mm / Thickness 0.5mm)

3

Make sure if the unit is tightly strapped.

3. WALL TAMPER

Magnetic contact can be used as a wall tamper. *Use Magnetic contact on the market as it is not included on this package. As for the fitting size, refer to Dimension of Magnetic contact.

1

Use the enclosed **MOUNTING TEMPLATE** to determine where it is to be installed.

2

Magnetic contact with cable should be fixed on the bottom part of the SP-2.

3

After SP-2 is installed, magnetic contact should be connected with tamper terminal through the cable hole.

MOUNTING TEMPLATE SP-2

mm(inches)

