

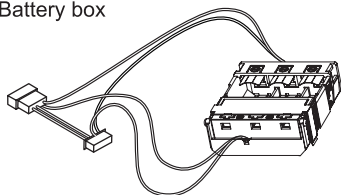
# RBB-01

## R-MODEL BATTERY BOX

### 1 INTRODUCTION

#### 1-1 PARTS IDENTIFICATION

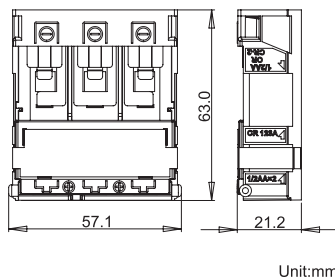
Battery box



Dummy battery



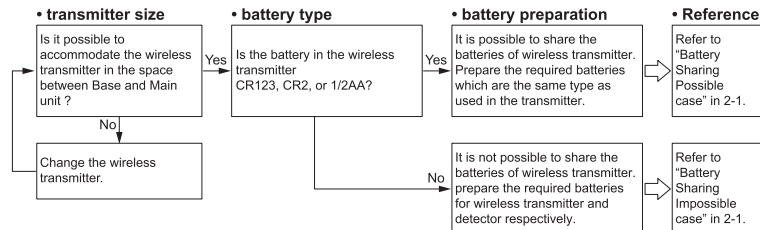
#### 1-2 DIMENSIONS



Unit:mm

### 2 PREPARATIONS

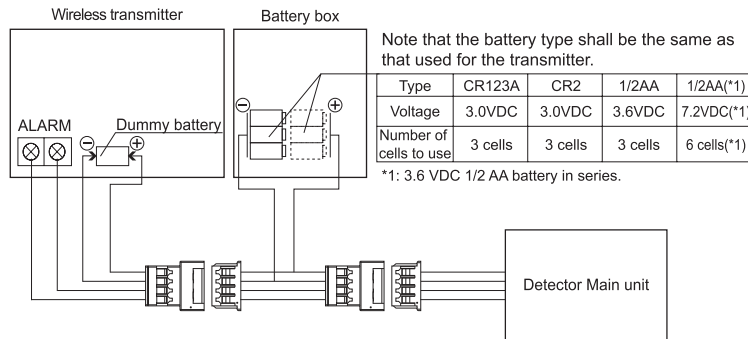
To use detector, wireless transmitter and battery should be prepared.  
First check the following flowchart.



### 2-1 BATTERY PREPARATION

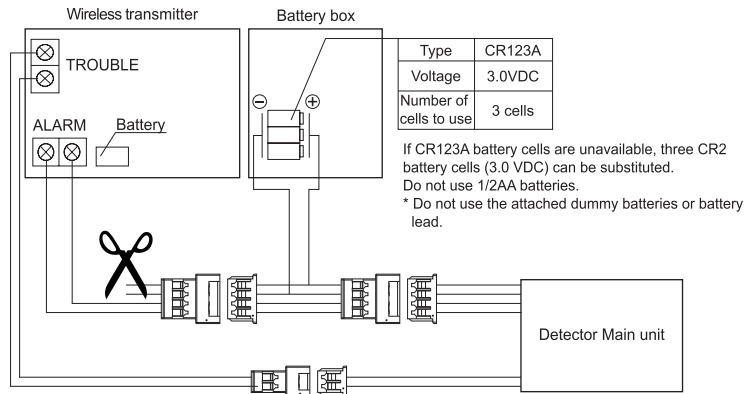
#### -Battery Sharing Possible Case

Power supply is available from the battery box to both detector and the wireless transmitter.



#### -Battery Sharing Impossible Case

Separate batteries for detector and the wireless transmitter.



#### Caution>>

Black and red wires are not being used.  
Cut the black and red wires from their roots to avoid unwanted short circuits.

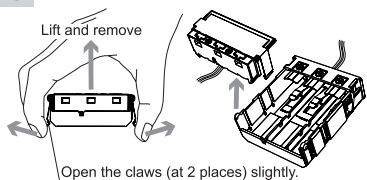
## ⚠ Warning

Do not use batteries of different capacities (i.e.: mixing new and used batteries) or of different manufacturers and/or types together. Not observing the above may result in an explosion, leakage of electrolyte, emission of toxic gases or other outcomes that may be harmful to people and property.

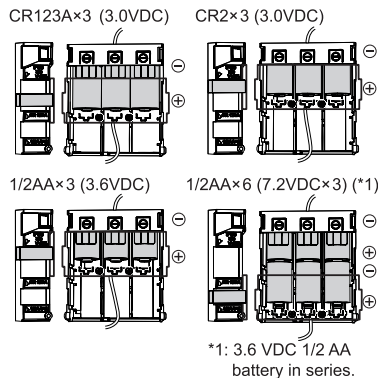
## 2-2 MOUNTING THE BATTERY

### -Battery Sharing Possible Case

- 1 Remove the battery box cover.



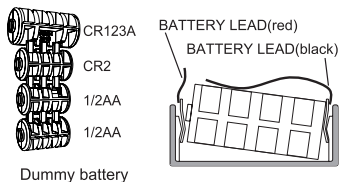
- 2 Mount batteries and put the cover onto the right position indicated on the side of the battery box. Hook the cover firmly by the claws on the right and left sides.



### Caution>>

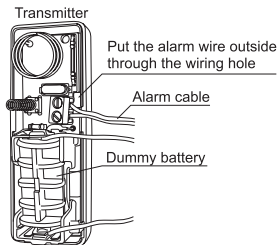
Make sure to complete wiring inside a transmitter before connecting to the main unit.

- 3 Open the transmitter cover and remove the battery.
- 4 Place the battery lead (included in the set) and a dummy battery in the battery case of transmitter.



\* Twist and cut off the portion that fits the applicable battery type.

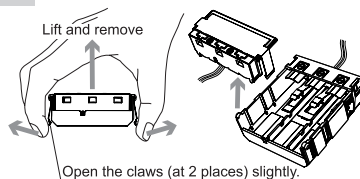
- 5 Connect the alarm cable to the transmitter and close the cover.



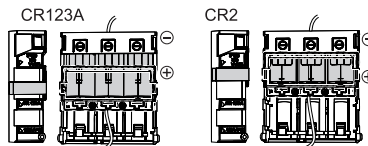
### -Battery Sharing Impossible Case

Arrange 3 cells each of CR-123A (recommended) or CR2.

- 1 Remove the battery box cover.

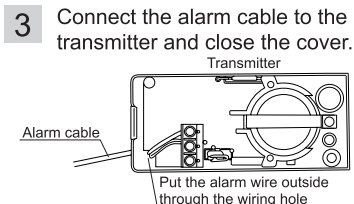


- 2 After installing the batteries, check the guide on the side and install the cover. Hook the cover firmly by the claws on the right and left sides.

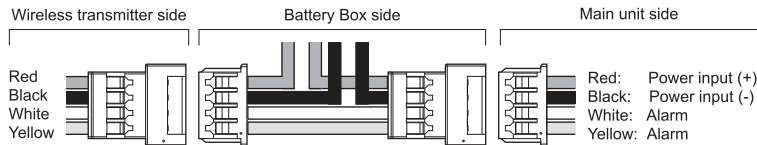


### Caution>>

Make sure to complete wiring inside a transmitter before connecting to the main unit.



## 2-3 CONNECT THE CONNECTORS



Please refer to the installation instructions of detectors for more details. The installation instructions can be downloaded from the web site below.