

TVT

Secure The World With You

HD CCTV
Over Coax



1080P DISPLAY

5MP Lite Record

5MP Lite Playback



TD-2100TS-HC

TVT

TVT DIGITAL TECHNOLOGY CO., LTD.

Address: 23rd Floor, Block B4, Building NO.9, Shenzhen Bay
Eco-Technology Park, Nanshan District, Shenzhen, Guangdong
Province, P.R.China
Tel: +86-755-36995888
Fax: +86-755-33104777
Web site: <http://en.tvt.net.cn>
E-mail: overseas@tvtnet.cn



HD



H.265



DDNS



Network



PTZ



Audio



MIC



Mobile



CMS



USB



Mouse



E-mail

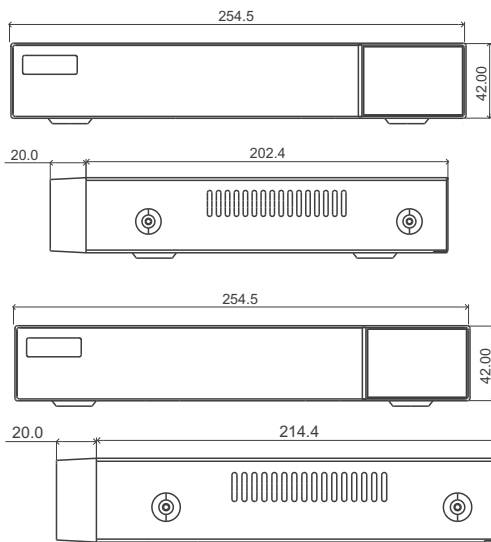
Introduction

TD-2100TS-HC series are 4 / 8 / 16 CH 1080P high definition DVRs with ability to connect analog and IP cameras simultaneously, which adopt the standard H.265 high profile compression format and the most advanced SOC technique to ensure real time recording in each channel and realize outstanding robustness of the system. TD-2100TS-HC support 4 / 8 / 16 CH video input, 1 / 1 CH audio input, simultaneous 4 / 8 / 16 CH playback. The series of product can meet different security requirements of home, financial, commerce, enterprise, transportation and government, etc.

Characteristics

- 4 / 8 / 16 CH TVI / AHD / CVI 5MP / 4MP / 1080P / 720P / WD1 video input
- 4 / 8 / 16 CH DVRs support 2 / 4 / 8 CH 5MP / 4MP / 3MP / 1080P / 960P / 720P IP video input input by default
- 4 / 8 / 16 CH DVRs default support 2 / 8 / 8 CH analog input switched to IP input
- Adopt standard H.265 high profile compression format to get high-quality video at much lower bit rate
- Intuitive and user-friendly Graphics User Interface (GUI), window style operation by mouse
- Multi-mode recording: manual / timer / motion / smart event
- Playback : 4 / 8 / 16 CH simultaneously playback
- Search: time slice, time, event, tag search
- Express and flexible backup via USB, network and so on
- Pentaplex: preview, record, playback, backup and remote access
- DHCP, DDNS, PPPoE network protocol
- Remote control via Web or CMS : preview, playback, backup, PTZ and configuration
- Dual stream technology for local storage with high definition, remote network transmission and remote surveillance with mobile device
- Multi-user online simultaneously
- Authorization management, log review and device status review
- Support 1080P output, true high resolution display
- Support PTZ preset and auto cruise, up to 255 presets and 8 cruises
- Support NAT function and QRCode scanning by mobile phones
- Powerful mobile surveillance by smart phones with iOS and Andriod OS

Dimensions

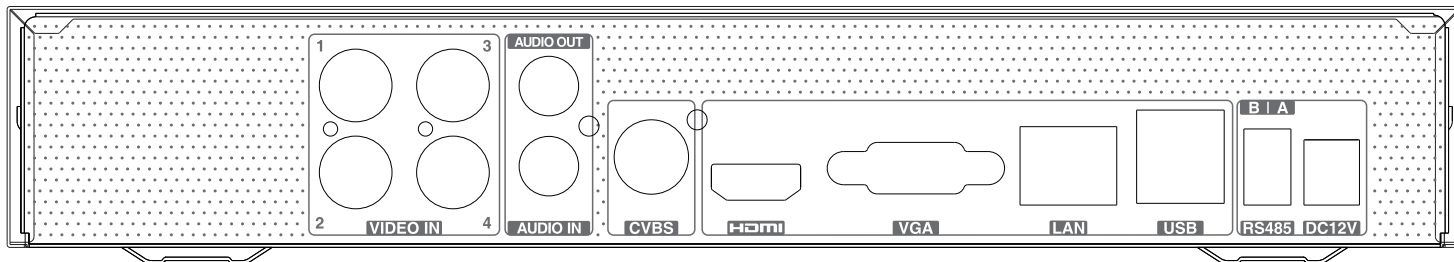


Specification

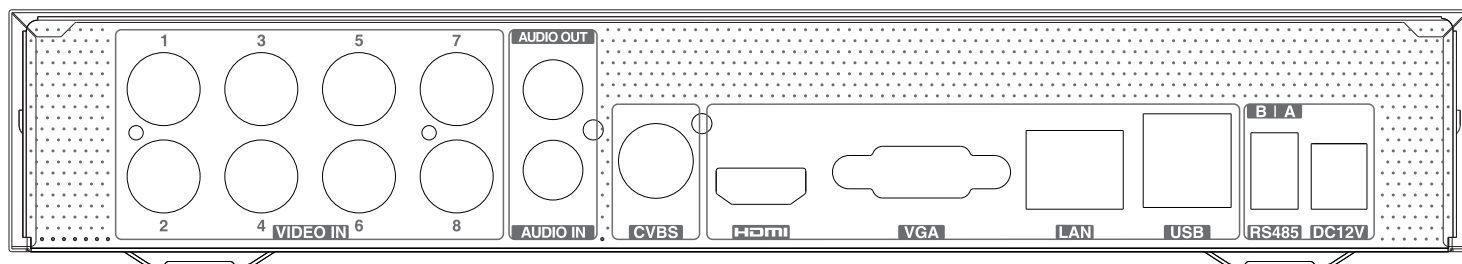
Model		TD-2104TS-HC	TD-2108TS-HC	TD-2116TS-HC
System	OS	Embedded Linux		
Video	Analog Input	BNC × 4	BNC × 8	BNC × 16
	Resolution	TVI / AHD / CVI : 5MP / 4MP / 1080P / 720P / WD1		
	IP Input	2CH (Up to 6CH)	4CH (Up to 12CH)	8CH (Up to 16CH)
	Total Input	6CH	12CH	24CH
Audio	Output	HDMI × 1 : 1920 × 1080 / 1280 × 1024 / 1024 × 768 VGA × 1 : 1920 × 1080 / 1280 × 1024 / 1024 × 768 BNC × 1 : CVBS (used as the main or spot output)		
	Input	RCA × 1		
	Output	RCA × 1 (linear, 600Ω)		
Standard	Two-way audio	Take up channel one audio input		
	Video Compression	H.264/H.265		
Record	Audio Compression	G.711(U/A)		
	Resolution	5MP Lite/4MP Lite/1080P/1080P Lite/720P/WD1		
	Frame Rate	Analog Channel: 5MP Lite : 10fps; 4MP Lite/1080P : 12fps (PAL)/15fps (NTSC); 1080P Lite/720P/WD1 : 25fps (PAL)/30fps (NTSC) IP Channel: 25fps (PAL)/30fps (NTSC)		
	Bit Rate	32Kbps ~ 4Mbps	32Kbps ~ 4Mbps	32Kbps ~ 5Mbps
IP Input	Mode	Manual, timer, motion		
	Resolution	Up to 5MP@25fps	Up to 5MP@30fps	Up to 5MP@30fps
	Playback	4 CH	8 CH	16 CH
	Search	Time slice / time / event / tag search		
Play back	Smart Search	Highlight colors to display the camera record in a certain period of time, different colors refer to different record events		
	Function	Play, pause, FF, FB, digital zoom, etc.		
Alarm	Input	No		
	Output	No		
Network	Interface	RJ45 100Mbps × 1		
	Protocol	TCP/IP, PPPoE, DHCP, DNS, DDNS, UPnP, NTP, SMTP, HTTP, HTTPs		
	Incoming Bandwidth	16Mbps (Max. 36Mbps)	32Mbps (Max. 60Mbps)	32Mbps (Max. 64Mbps)
	Outgoing Bandwidth	40Mbps	60Mbps	80Mbps
Mobile Device	OS	iOS, Andriod		
Storage	HDD	SATA × 1, up to 6TB	SATA × 1, up to 6TB	SATA × 1, up to 8TB
	Local Backup	U disk, USB mobile HDD		
Backup	Network Backup	Yes		
	RS485	RS485 × 1, connect to PTZ or keyboard		
Port	USB	USB 2.0 × 2 (in the rear panel)		
	Remote Controller	Optional		
Others	Power Supply	DC12V / 1.5A	DC12V / 2A	DC12V / 3A
	Consumption	≤5W(without HDD)	≤8W(without HDD)	≤10W(without HDD)
	Dimensions (mm)	255 × 222 × 42 (W × D × H)		255 × 234 × 42 (W × D × H)
	Working Environment	-10 ~ 50 °C , 10% ~ 90% humidity		

Rear Panels

TD-2104TS-HC



TD-2108TS-HC



TD-2116TS-HC

