

DH-IPC-K35

K series Full HD Wi-Fi Network Camera



Features

- 1/3" 3Megapixel CMOS
- H.264/MJPEG dual-encoding
- Max 20fps@3MP(2304×1296)&30fps@1080P
- IR 10m
- 95° horizontal view angle
- Easy4ip cloud support
- Wi-Fi support
- Micro SD card, up to 128GB
- Built-in Mic & Speaker
- Alarm in/out
- DC12V

DH-IPC-K35

Technical Specifications

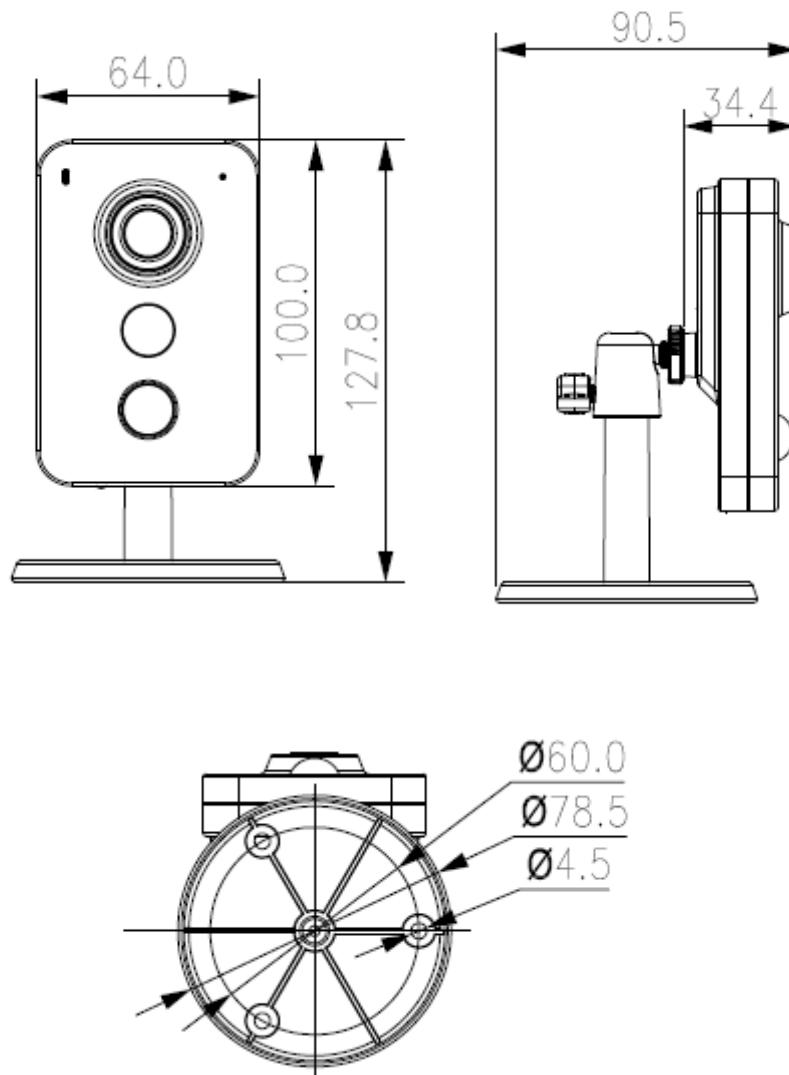
Model	DH-IPC-K35	
Camera		
Image Sensor	1/3" 3Megapixel CMOS	
Effective Pixels	2304(H)x1536(V)	
Scanning System	Progressive	
Electronic Shutter Speed	Auto/Manual, 1/3(4)~1/30000	
Min. Illumination	0.78lux/F2.0(color),0lux/F2.0(IR on)	
S/N Ratio	More than 50dB	
Video Output	N/A	
Camera Features		
Max. LEDs Length	10m	
Day/Night	Auto(ICR) / Color / B/W	
Backlight Compensation	BLC / HLC / DWDR	
White Balance	Auto/Manual	
Gain Control	Auto/Manual	
Noise Reduction	3D	
Lens		
Focal Length	2.8mm	
Max Aperture	F2.0	
Focus Control	Manual	
Angle of View	95°	
Lens Type	Fixed Lens	
Mount Type	Board-in Type	
Video		
Compression	H.264/MJPEG	
Resolution	3MP/1080P/720P/VGA/QVGA	
Frame Rate	Main Stream	3MP(1~20fps)/1080P/720P(1~30fps)
	Sub Stream	VGA/QVGA(1~30fps)
Bit Rate	H.264: 32Kbps~8192Kbps	
Audio		
Compression	G.711a;G.711Mu;AAC	
Interface	Built-in Mic/Speaker	
Network		
Ethernet	RJ45	
Wi-Fi	Wi-Fi(IEEE802.11b/g/n) 50m(open field)	
Protocol	HTTP;HTTPS;TCP;IPV4/IPV6;UDP;RTSP;ICMP;RTP;DHCP;NTP;IGMP;ARP;DNS;DDNS;SMTP;UPNP;Bonjour;Qos,FTP	
Compatibility	ONVIF CGI	
Max. User Access	10 users	
Smart Phone	iPhone, iPad, Android, Windows Phone	
Auxiliary Interface		

DH-IPC-K35

Memory Slot	Micro SD, up to 128GB
RS485	N/A
Alarm	1 in/1 out
PIR Sensor Range	Yes, 6m
USB	Micro USB
General	
Power Supply	DC 12V
Power Consumption	<4.85W
Working Environment	-10°C~+45°C, Less than 95%RH
Ingress Protection	N/A
Vandal Resistance	N/A
Dimensions(W×D×H)	Φ 78.5mm×127.8mm
Weight	0.45KG with package

DH-IPC-K35

Dimensions (mm)



Dahua Technology Co., Ltd.

1187 BinAn Road, Binjiang District, Hangzhou, China

Tel: +86-571-87688883

Fax: +86-571-87688815

Email: overseas@dahuatech.com

www.dahuasecurity.com

*Design and specifications are subject to change without notice.

© 2016 Dahua Technology Co., Ltd.