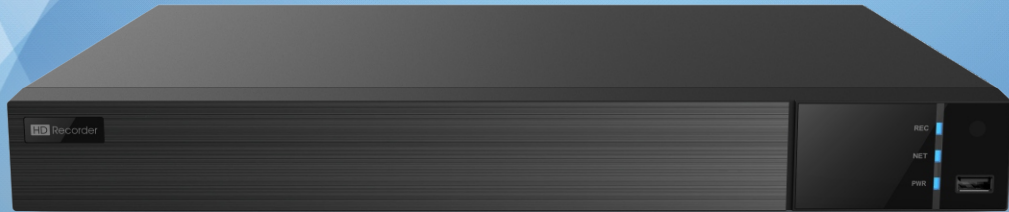


NVR

16 CH NVR

8MP/5MP/4MP/3MP/1080P/720P HD NVR



TD-3316B2-A1

- 4K Output
- 8MP
- DDNS
- Network
- PTZ
- Audio
- MIC
- Mobile
- CMS
- USB
- Mouse
- E-mail
- STD
- FR
- VCA

TD-3316B2-A1 series are 16 CH 8MP / 5MP / 4MP / 3MP / 1080P / 960P / 720P high definition NVRs, which adopt the most advanced SOC technique to ensure high definition recording in each channel and realize outstanding robustness of the system.

TD-3316B2-A1 series support 16 CH IP input, simultaneous 16 CH playback, and 4K high definition display. The series of product can meet different security requirements of home, financial, commerce, enterprise, transportation and government, etc.



en.tvt.net.cn

For more information, please visit our website

Shenzhen TVT DIGITAL TECHNOLOGY CO., LTD.

Address: 23rd Floor, Block B4, Building NO.9, Shenzhen Bay Eco-Technology Park, Nanshan District, Shenzhen, Guangdong Province, P.R.China

Tel: +86-755-36995888

Web site: <http://en.tvt.net.cn>

Fax: +86-755-33104777

E-mail: overseas@tvt.net.cn

SPECIFICATIONS

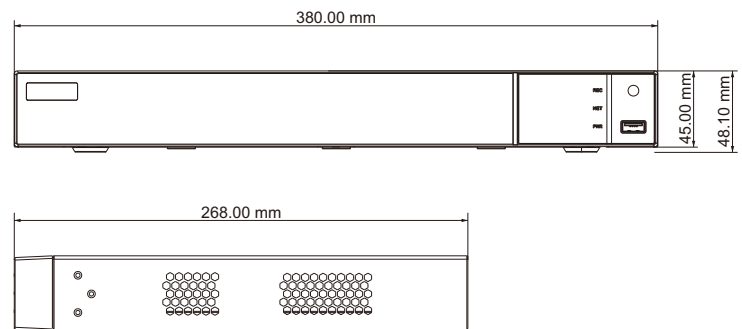
Model		TD-3316B2-A1
System	Compression	Standard H.264 / H.265
	OS	Embedded Linux
Video	Network Input	16 CH IPC input
	IP Input Access / Transfer Bandwidth	160Mbps / 160Mbps
	Network Access Format	Up to 8MP
	Output	HDMI × 1 : 1024x768 / 1280x1024 / 1920x1080 / 3840x2160, VGA × 1 : 1024x768 / 1280x1024 / 1920x1080
Audio	Network Input	16 CH IPC audio input
	2-way Audio	RCA × 1
	Local Output	RCA × 1
Record	Record Stream	Dual stream recording
	Resolution	Up to 8MP
	Mode	Manual, timer, motion, sensor
Playback	Simultaneous Playback	Max 16 CH
	Search	Time slice / time / event / tag search
	Smart Search	Highlighted color to display the camera record in a certain period of time, different colors refers to different record events
	Function	Play, pause, FF, FB, digital zoom, etc.
Alarm	Mode	Manual, sensor, motion, exception
	Input	8 CH local alarm input, support IPC alarm input
	Output	4 CH
	Triggering	Record, snap, preset, e-mail, etc.
Face	Channel	16 CH
	Face Picture Database	16 libraries 10000 Face Pictures
	Computing Capability	240 pictures / minute
	Face Picture Search	Search by picture is supported
	Database Management	Add, modify, delete and search face pictures
	Face Picture Adding	Add face pictures through APP, WEB and local PC
	External face picture enrollment	Resolution : 64 x 64 ~ 1920 x 1080 Size : less than 200KB Format : jpg
	Face Picture Comparison	Support allow list and block list alarm
	Face Trace	Yes
	Map of Face Trace	Resolution : 600 x 300 ~ 3840 x 2160 Size : within 200KB Format : jpg
	Statistic Graph of Face Information	Bar graph, pie chart
Statistic Mode of Face Information	Statistics by day, week, month, quarter as well as customized time period	
Network	Interface	RJ45 1000 Mbps × 1
	Protocol	TCP / IP, PPPoE, DHCP, DNS, DDNS, UPnP, NTP, SMTP
Mobile Device	OS	iOS, Andriod
Storage	HDD	SATA × 2, max 8T per HDD

Backup	Local Backup	U disk, USB mobile HDD
	Network Backup	Yes
Port	USB	USB 2.0 × 1, USB 3.0 × 1 (rear panel)
	Remote Controller	Optional
	RS485	RS485 × 2, connect to PTZ or keyboard
Others	Power Supply	DC12V / 4A
	Consumption	≤ 10W (without HDD)
	Dimensions (mm)	380 × 268 × 45 (W × D × H)
	Work Environment	-10 ~ 50 °C , 10% ~ 90% humidity

FEATURES

- Support 16 CH 8MP / 5MP / 4MP / 3MP / 1080P / 960P / 720P IP input
- Adopt standard H.265 and H.264 high profile compression format to get high-quality video at much lower bit rate
- Intuitive and user-friendly Graphic User Interface (GUI), Windows style operation by mouse
- Multi-mode recording: manual / timer / motion / sensor
- Playback : 16 CH simultaneous playback
- Search : time slice, time, event (manual, sensor, motion), tag search
- Support face detection and comparison
- Express and flexible backup via USB, network and so on
- Pentaplex : preview, record, playback, backup and remote access
- DHCP, DDNS, PPPoE network protocol and CMS supported
- Remote control via IE or CMS : preview, playback, backup, PTZ and configuration
- Dual stream technology for local storage with high definition, remote network transmission and remote surveillance with mobile device
- Multi-user online simultaneously
- Authorization management, log view and device status view
- 4K HD output, true high resolution display
- Support PTZ preset and auto cruise, up to 255 presets and 8 cruises
- Support NAT function and QRCode scanning by mobile phone and PAD
- Powerful smart phone & Pad surveillance with iOS and Andriod OS

DIMENSIONS



REAR PANEL

