

TVT

Secure The World With You

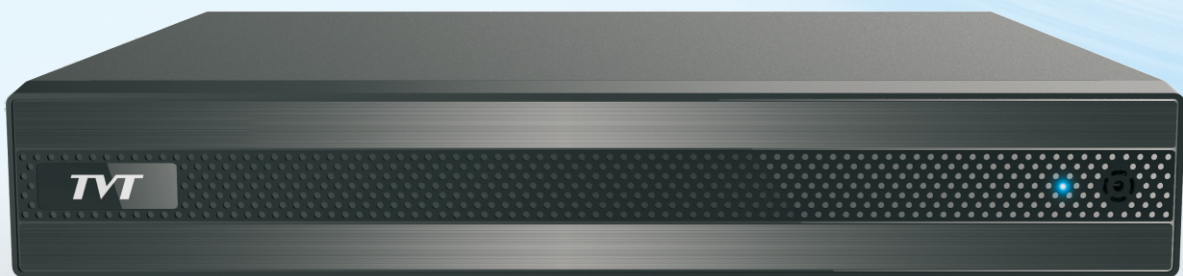
HD CCTV
Over Coax



1080P DISPLAY

1080P lite RECORD

1080P lite PLAYBACK



TD-2100TS-CL

TVT

TVT DIGITAL TECHNOLOGY CO., LTD.

Address: 5F, North Block, CE Lighting House, Hi-Tech Park, Nanshan District, Shenzhen, Guangdong Province, P.R.China 518057
Tel: +86-755-3330 6001
Fax: +86-755-3330 6002
Web site: www.tvt.net.cn
E-mail: overseas@tvt.net.cn



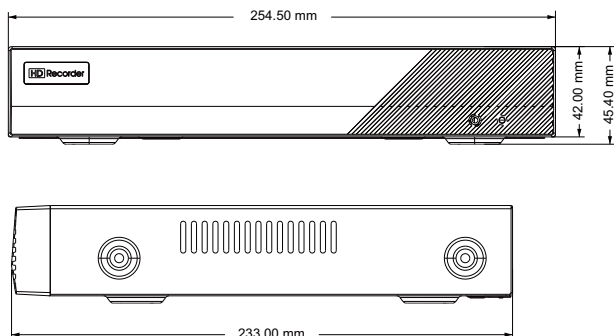
Introduction

TD-2100TS-CL series are 4 / 8 / 16 CH 1080P lite high definition DVRs with ability to connect analog and IP cameras simultaneously, which adopt the standard H.264 high profile compression format and the most advanced SOC technique to ensure real time recording in each channel and realize outstanding robustness of the system. TD-2100TS-CL support 4 / 8 / 16 CH video input, 1 / 1 / 1 CH audio input, simultaneous 4 / 8 / 16 CH playback. The series of product can meet different security requirements of home, financial, commerce, enterprise, transportation and government, etc.

Characteristics

- 4 / 8 / 16 CH TVI / CVI / AHD video input
- 4 CH 1080P lite / 720P / WD1 recording
- 8 / 16 CH 1080P lite / 720P / 720P lite / WD1 recording
- 4 / 8 CH DVRs support 1 / 1 CH IPC 1080P / 960P / 720P recording
- 16 CH DVRs support 2 CH IPC 3MP / 1080P / 960P / 720P recording
- Adopt standard H.264 high profile compression format to get high-quality video at much lower bit rate
- Intuitive and user-friendly Graphics User Interface (GUI), window style operation by mouse
- Multi-mode recording: manual / timer / motion
- Playback : 4 / 8 / 16 CH simultaneously playback
- Search: time slice, time, event (manual, motion), tag search
- Express and flexible backup via USB, network and so on
- Pentaplex: preview, record, playback, backup and remote access
- DHCP, DDNS, PPPoE network protocol, IE browse and CMS supported
- Remote control via IE or CMS : preview, playback, backup, PTZ and configuration
- Dual stream technology for local storage with high definition, remote network transmission and remote surveillance with mobile device
- Multi-user online simultaneously
- Authorization management, log review and device status review
- HDMI 1080P output, true high resolution display
- Support PTZ preset and auto cruise, up to 255 presets and 8 cruises
- Support NAT function and QRCode scanning by mobile phone and PAD
- Powerful smart phone & Pad surveillance with iOS and Andriod OS

Dimensions

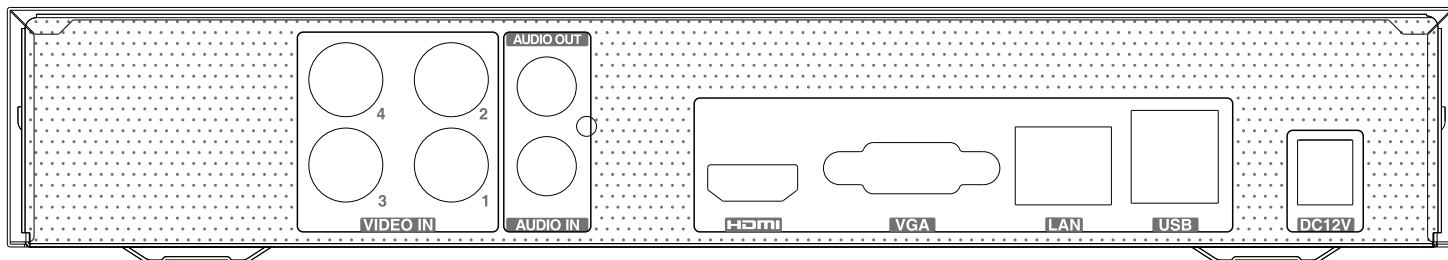


Specification

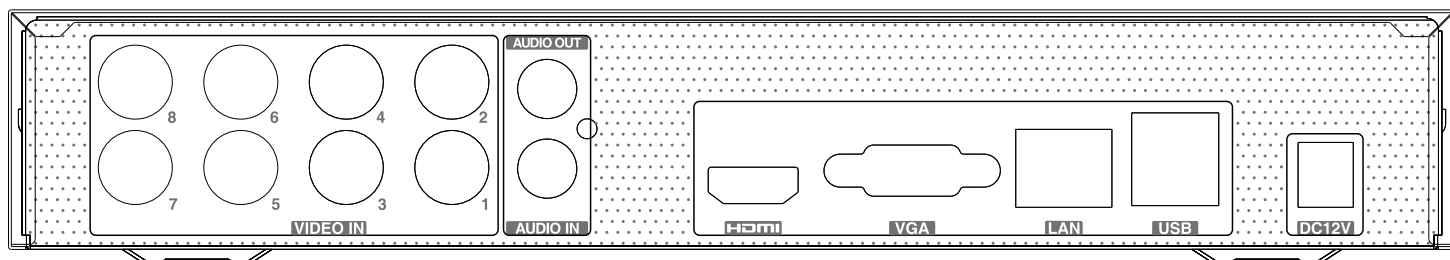
Model		TD-2104TS-CL	TD-2108TS-CL	TD-2116TS-CL
System	Compression	Standard H.264 High Profile		
	CPU	Cortex A9		
	OS	Embedded Linux		
Video	Input	BNC × 4	BNC × 8	BNC × 16
	Resolution	TVI / CVI / AHD 1080P lite, 720P, WD1 real time		
	IP Input / Access Bandwidth	IPC × 1 / 6Mbps	IPC × 1 / 6Mbps	IPC × 2 / 12Mbps
	Output	HDMI × 1 : 1920 × 1080, VGA × 1 : 1920 × 1080		HDMI × 1 : 1920 × 1080, VGA × 1 : 1920 × 1080, BNC × 1 : CVBS (used as the main or spot output)
Audio	Input	RCA × 1		
	Output	RCA × 1		
	Two-way audio	Take up channel one audio input		
Record	Resolution	1080P lite, 720P, WD1	1080P lite, 720P, 720P lite, WD1	
	Frame Rate	25 fps (PAL) / 30 fps (NTSC)	1080P lite/720P : 12 fps (PAL) / 15 fps (NTSC) 720P lite / WD1 : 25 fps (PAL) / 30 fps (NTSC)	1080P lite: 1~12fps (PAL / NTSC) 720P : 12 fps (PAL) / 15 fps (NTSC) 720P lite / WD1 : 25 fps (PAL) / 30 fps (NTSC)
	Bit Rate	768Kbps ~ 4Mbps		
	Mode	Manual, timer, motion		
	IP Input	Resolution	1080P / 960P / 720P	1080P / 960P / 720P
Play back	Frame Rate	25fps (PAL) 30fps (NTSC)	25fps (PAL) 30fps (NTSC)	25fps (PAL) 30fps (NTSC)
	Playback	4 CH	8 CH	16 CH
	Search	Time slice / time / event / tag search		
	Smart Search	Highlighted color to display the camera record in a certain period of time, different colors refers to different record events		
Alarm	Function	Play, pause, FF, FB, digital zoom, etc.		
	Mode	Manual, motion, exception		
	Input	No		
Network	Output	No		
	Triggering	Record, snap, preset, e-mail, etc.		
	Interface	RJ45 10M / 100Mbps × 1		
Mobile Device	Protocol	TCP / IP, PPPoE, DHCP, DNS, DDNS, UPnP, NTP, SMTP		
	Web Client	Multiple users online		
Storage	HDD	SATA × 1, max 8T		
Backup	Local Backup	U disk, USB removable HDD		
	Network Backup	Yes		
Port	RS485	No	No	RS485 × 1, connect to PTZ or keyboard
	USB	USB 2.0 × 2 (in the rear panel)		
	Remote Controller	Optional		
Others	Power Supply	DC 12V		
	Consumption	≤ 5W (without HDD)	≤ 5W (without HDD)	≤ 10W (without HDD)
	Dimensions (mm)	255 × 233 × 42 (W × D × H)		
	Work Environment	-10 ~ 50 °C , 10% ~ 90% humidity		

Rear Panels

TD-2104TS-CL



TD-2108TS-CL



TD-2116TS-CL

