

## DH-HAC-HDBW2220R-Z

---

2.4Megapixel 1080P Vandal-proof IR HDCVI Dome Camera



### Features

- 1/2.8" 2.4Megapixel CMOS
- 25/30@1080P, 25/30/50/60fps@720P
- High speed, long distance real-time transmission
- HD and standard definition switchable
- OSD Menu, control over coaxial cable
- Day/Night(ICR), AWB, AGC, BLC, 3D-DNR
- 2.7~12mm motorized lens
- Max. IR LEDs length 30m, Smart IR
- IP66, IK10, DC12V

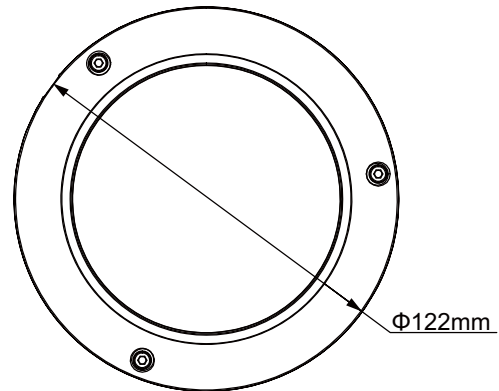
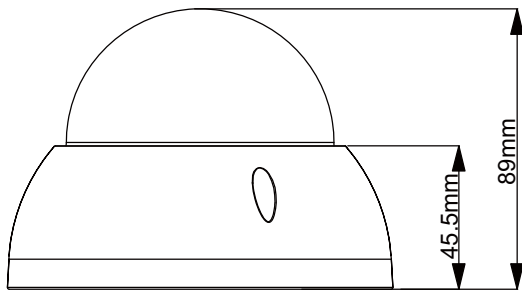
# DH-HAC-HDBW2220R-Z

## Technical Specifications

| Model                  | DH-HAC-HDBW2220RP-Z  | DH-HAC-HDBW2220RN-Z |
|------------------------|--|---------------------|
| <b>Camera</b>          |  |                     |
| Image Sensor           | 1/2.8" 2.4Megapixel CMOS   |                     |
| Effective Pixels       | 1984(H)×1225(V)  |                     |
| Electronic Shutter     | 1/3s~1/100,000s  |                     |
| Video Frame Rate       | 25/30/50/60fps@720P; 25/30fps@1080P  |                     |
| Synchronization        | Internal   |                     |
| Min. Illumination      | 0.05Lux@F1.2(AGC ON), 0Lux IR on   |                     |
| Video Output           | 1-channel BNC HDCVI high definition video output/ CVBS standard definition video output (Can switch) |                     |
| <b>Camera Features</b> |  |                     |
| Max. IR LEDs Length    | 30m, Smart IR  |                     |
| Day/Night              | Auto(ICR) / Color / B/W  |                     |
| Noise Reduction        | 2D/3D  |                     |
| OSD Menu               | Support  |                     |
| <b>Lens</b>            |  |                     |
| Focal Length           | 2.7~12mm   |                     |
| Lens Type              | Motorized / Fixed Iris   |                     |
| Mount Type             | Φ14  |                     |
| <b>General</b>         |  |                     |
| Power Supply           | DC12V±10%  |                     |
| Power Consumption      | Max 9.6W   |                     |
| Working Environment    | -30°C~+60°C / Less than 95%RH (no condensation)  |                     |
| Transmission Distance  | Over 300m via 75-3 coaxial cable   |                     |
| Ingress Protection     | IP66 & IK10  |                     |
| Dimensions             | Φ122mm×89mm  |                     |
| Weight                 | 0.45kg   |                     |

# DH-HAC-HDBW2220R-Z

## Dimensions (mm)



---

### Dahua Technology Co., Ltd.

1199 BinAn Road, Binjiang District, Hangzhou, China

Tel: +86-571-87688883

Fax: +86-571-87688815

Email: [overseas@dahuatech.com](mailto:overseas@dahuatech.com)

[www.dahuasecurity.com](http://www.dahuasecurity.com)

\*Design and specifications are subject to change without notice.

© 2014 Dahua Technology