

DH-HAC-HDW1200M

2Megapixel 1080P Water-proof HDCVI IR Eyeball Camera



Features

- ☒ 1/2.7" 2Mega pixel CMOS
- ☒ 25/30 fps@ 1080P, 25/30 /50/60 fps@720P
- ☒ High speed, long distance real -time transmission
- ☒ HD and S D switchable
- ☒ OSD Menu, control over coaxial cable
- ☒ DWDR, Day/Night(ICR), AWB, AGC, BLC , 2DNR
- ☒ 2.8mm fixed lens (6mm optional)
- ☒ Max. IR LEDs length 30m, Smart IR
- ☒ IP67, DC12V

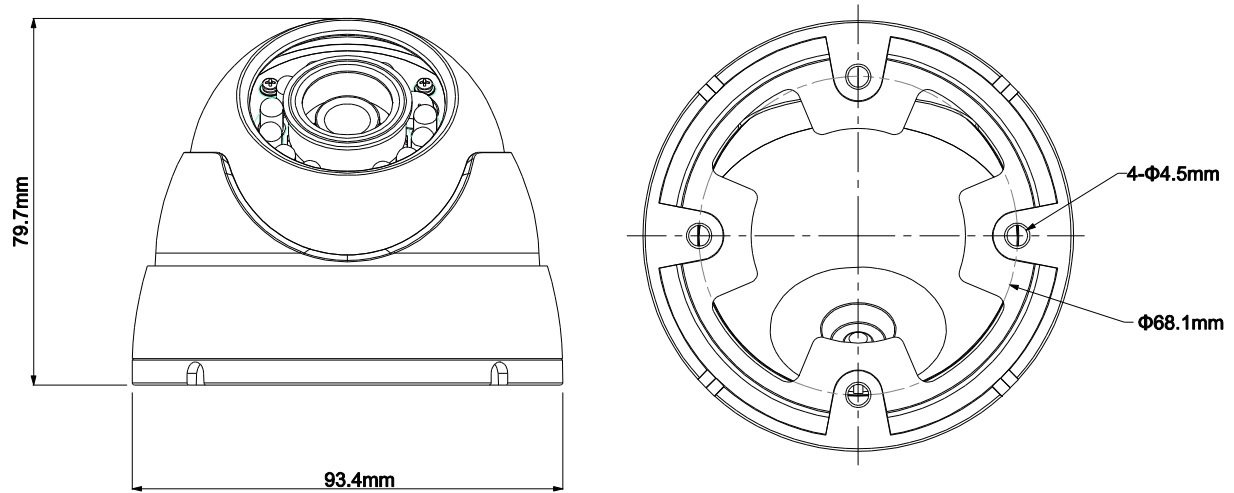
DH-HAC-HDW1200M

Technical Specifications

Model	DH-HAC-HDW1200MP	DH-HAC-HDW1200MN
Camera		
Image Sensor	1/2.7" 2Megapixel CMOS	
Effective Pixels	1920(H)×1080(V)	
Electronic Shutter	1/25~1/100000s	1/30~1/100000s
Video Frame Rate	25/50fps@720P; 25fps@1080P	30/60fps@720P; 30fps@1080P
Synchronization	Internal	
Min. Illumination	0.02Lux/F2.0, 0Lux IR on	
Video Output	1-channel BNC high definition video output/ CVBS standard definition video output (Can switch)	
Camera Features		
Max. IR LEDs Length	30m, Smart IR	
Backlight Compensation	DWDR	
Day/Night	Auto(ICR) / Color / B/W	
Noise Reduction	2D	
OSD Menu	Support	
Lens		
Focal length	3.6mm (6mm optional)	
Angle of View	H: 89.9° (59.4°)	
Mount Type	M12	
General		
Power Supply	DC12V±25%	
Power Consumption	Max 2.8W	
Working Environment	-40°C~+60°C / Less than 95%RH (no condensation)	
Transmission Distance	Over 500m via 75-3 coaxial cable	
Ingress Protection	IP67	
Dimensions	Φ93.4mm×79.7mm	
Weight	0.33kg	
Material	Metal	

DH-HAC-HDW1200M

Dimensions (mm)



Accessories (optional)

		
PFA13A	PFB204W	PFA152

Dahua Technology Co., Ltd.

1187 BinAn Road, Binjiang District, Hangzhou, China

Tel: +86-571-87688883

Fax: +86-571-87688815

Email: overseas@dahuatech.com

www.dahuasecurity.com

*Design and specifications are subject to change without notice.

© 2013 Dahua Technology